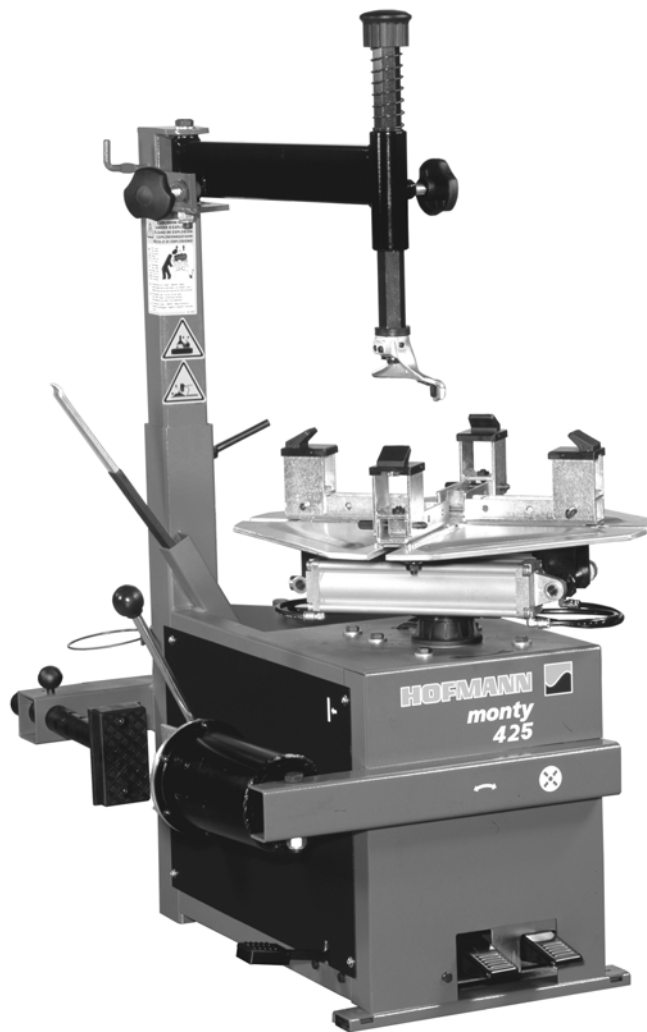


monty 425

Spare Parts list

Tire Changer



HOFMANN®



Date 10/03/11

Figure 2A Oiler & Regulator

Version produced up to 0117 - 06/01

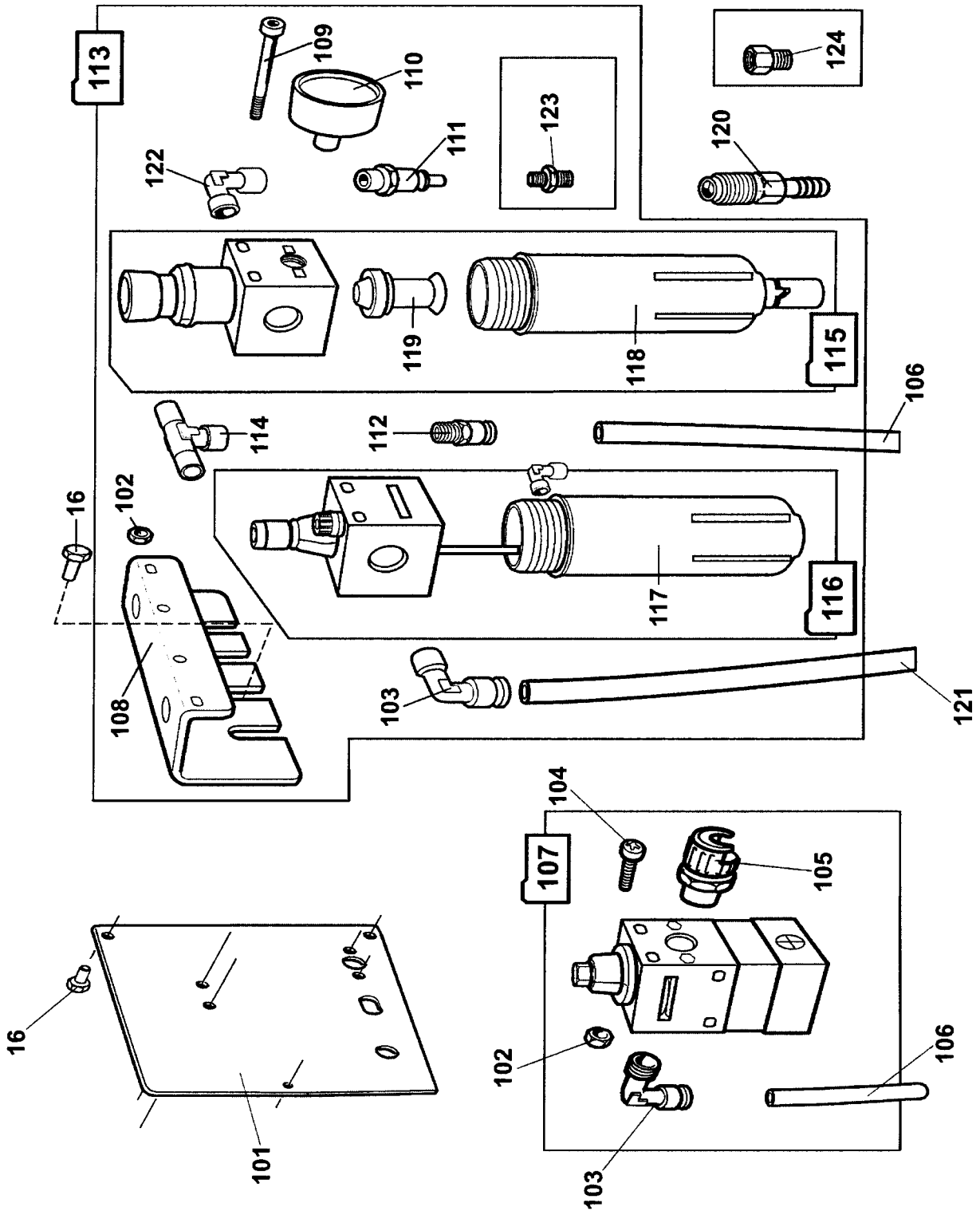


Figure 3A Turntable

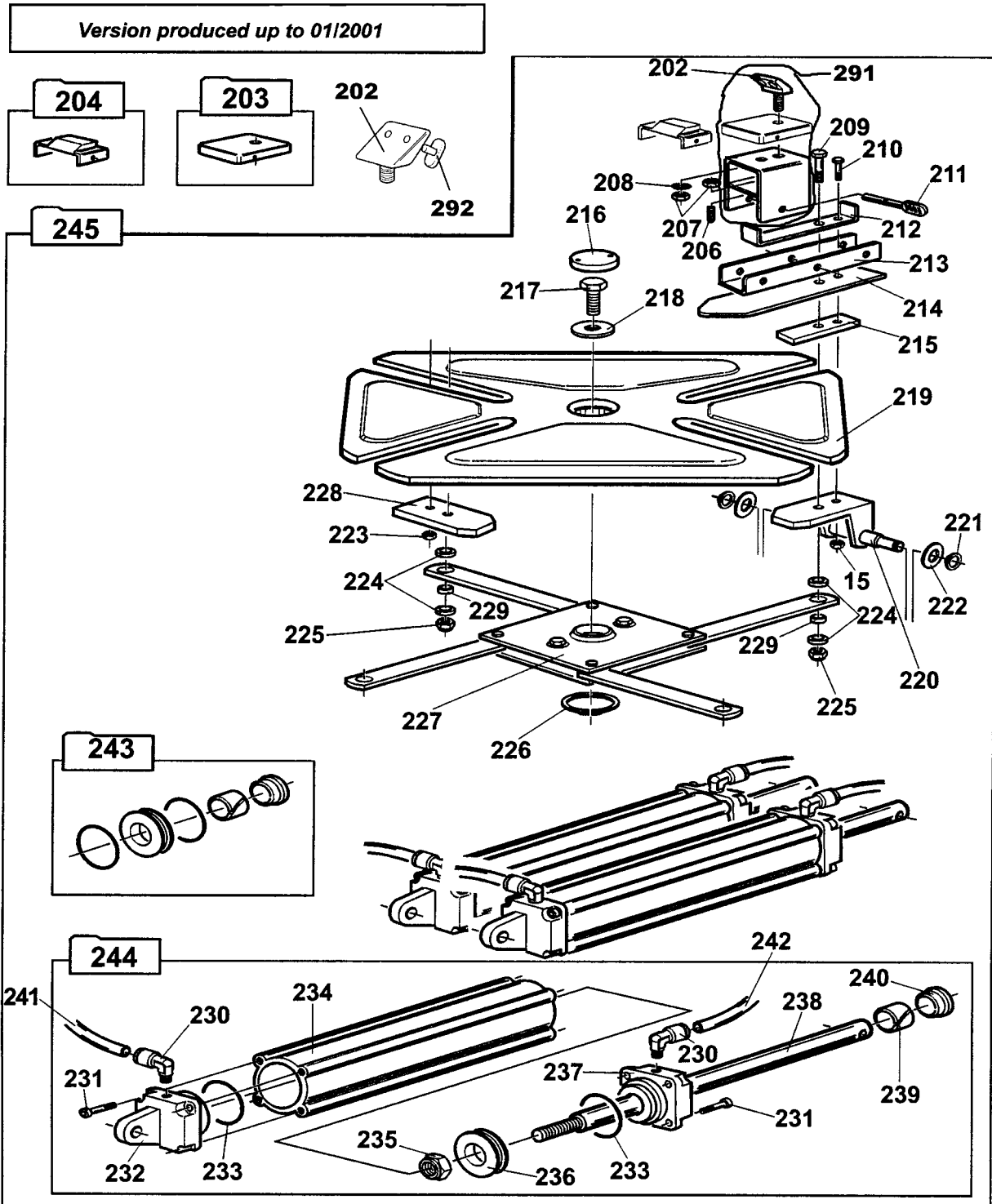


Figure 3B Turntable

Version produced from 02/01 up to 06/02

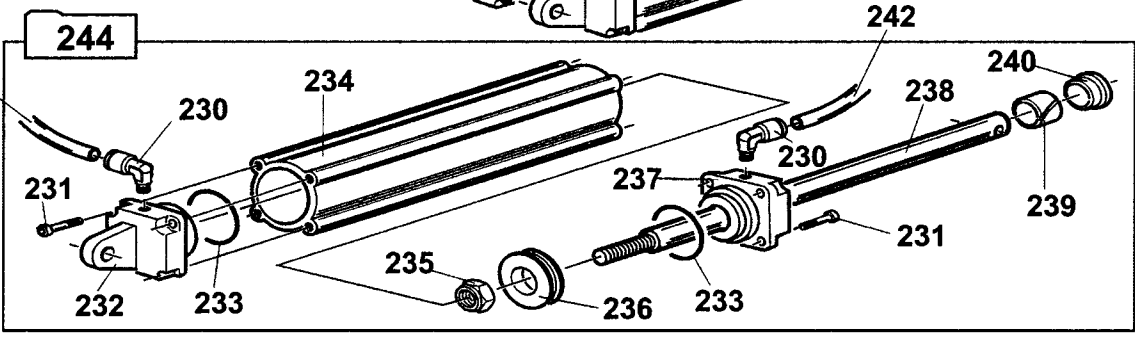
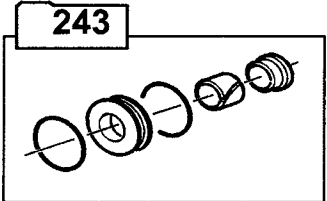
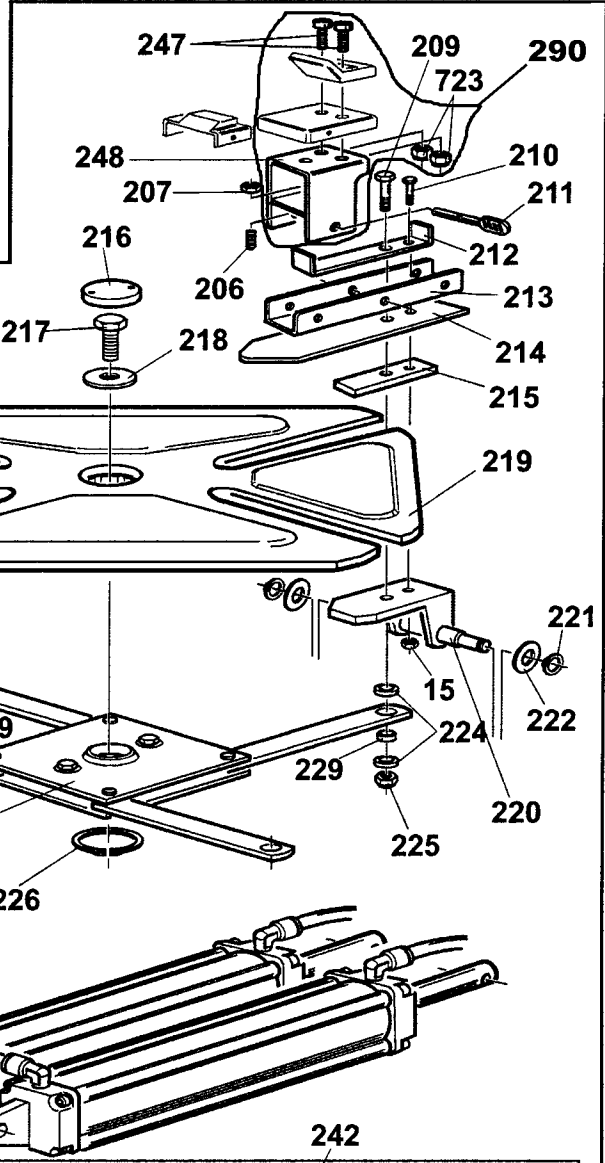
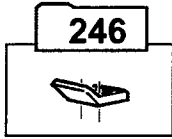
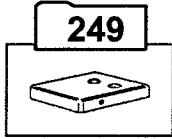
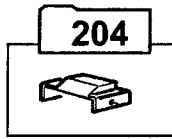


Figure 3C Turntable

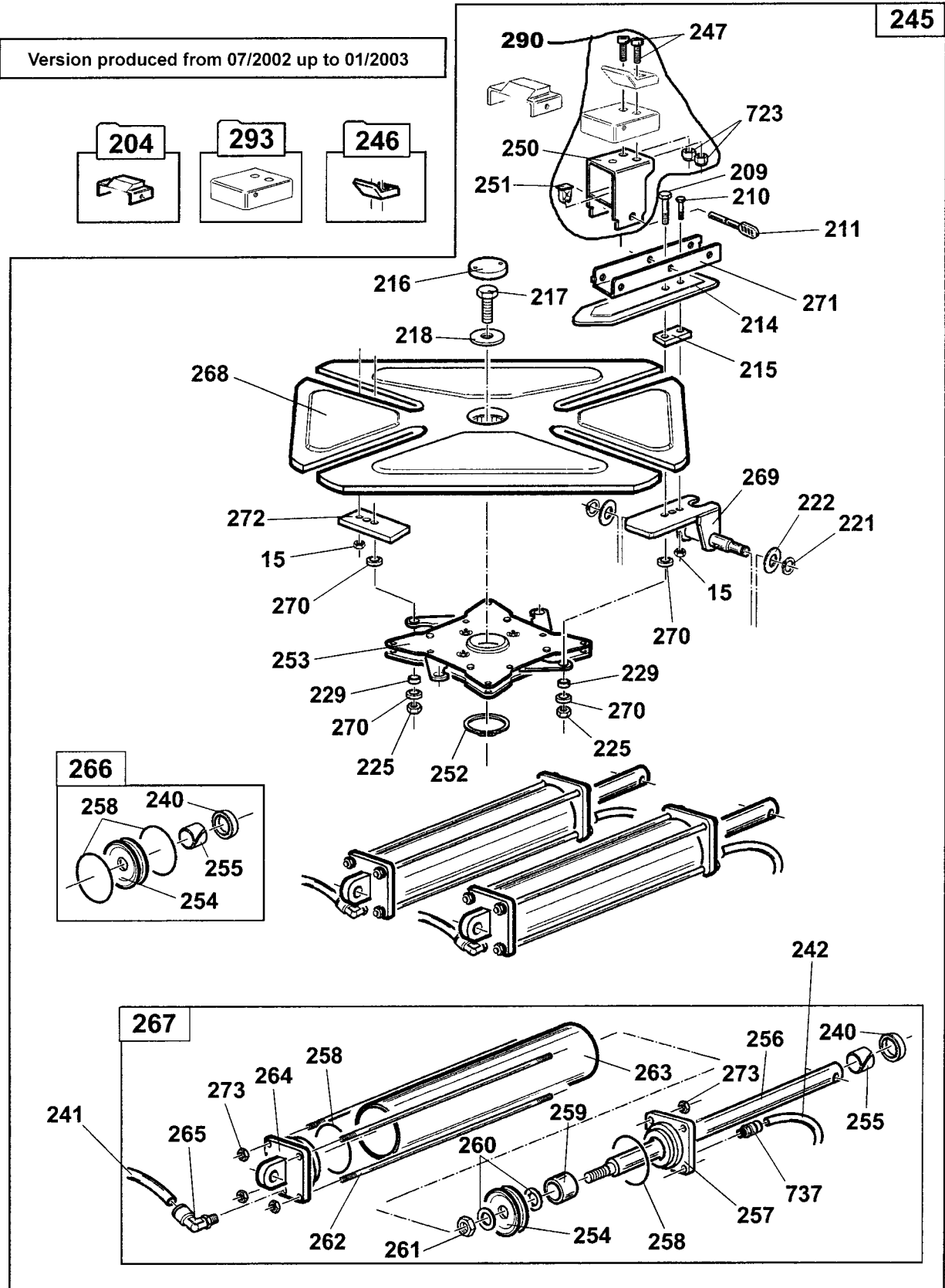


Figure 3D Turntable

Version produced from 02/2003

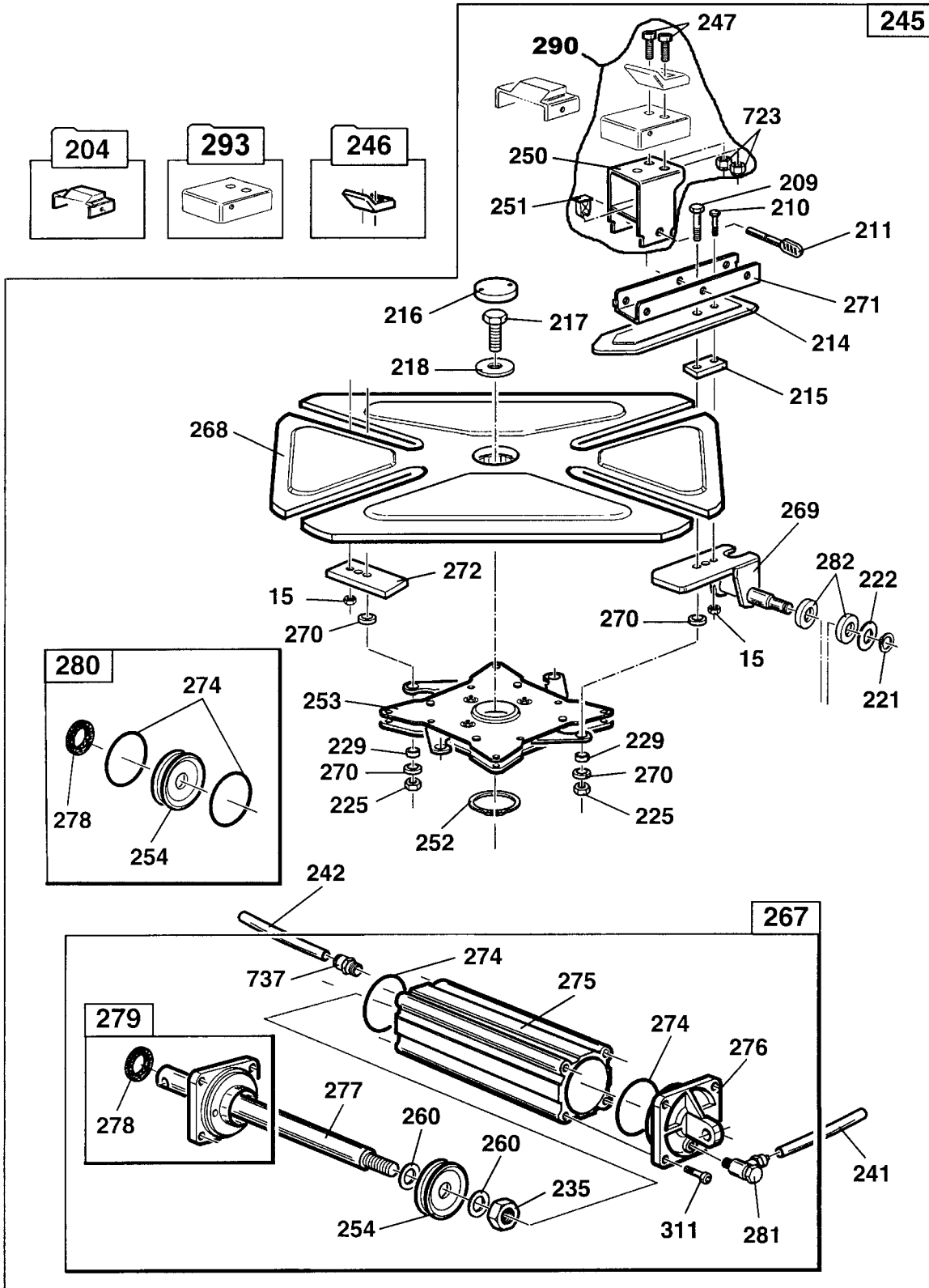


Figure 4A Bead Breaker

Parts are no longer available for this style see Figure 4/B

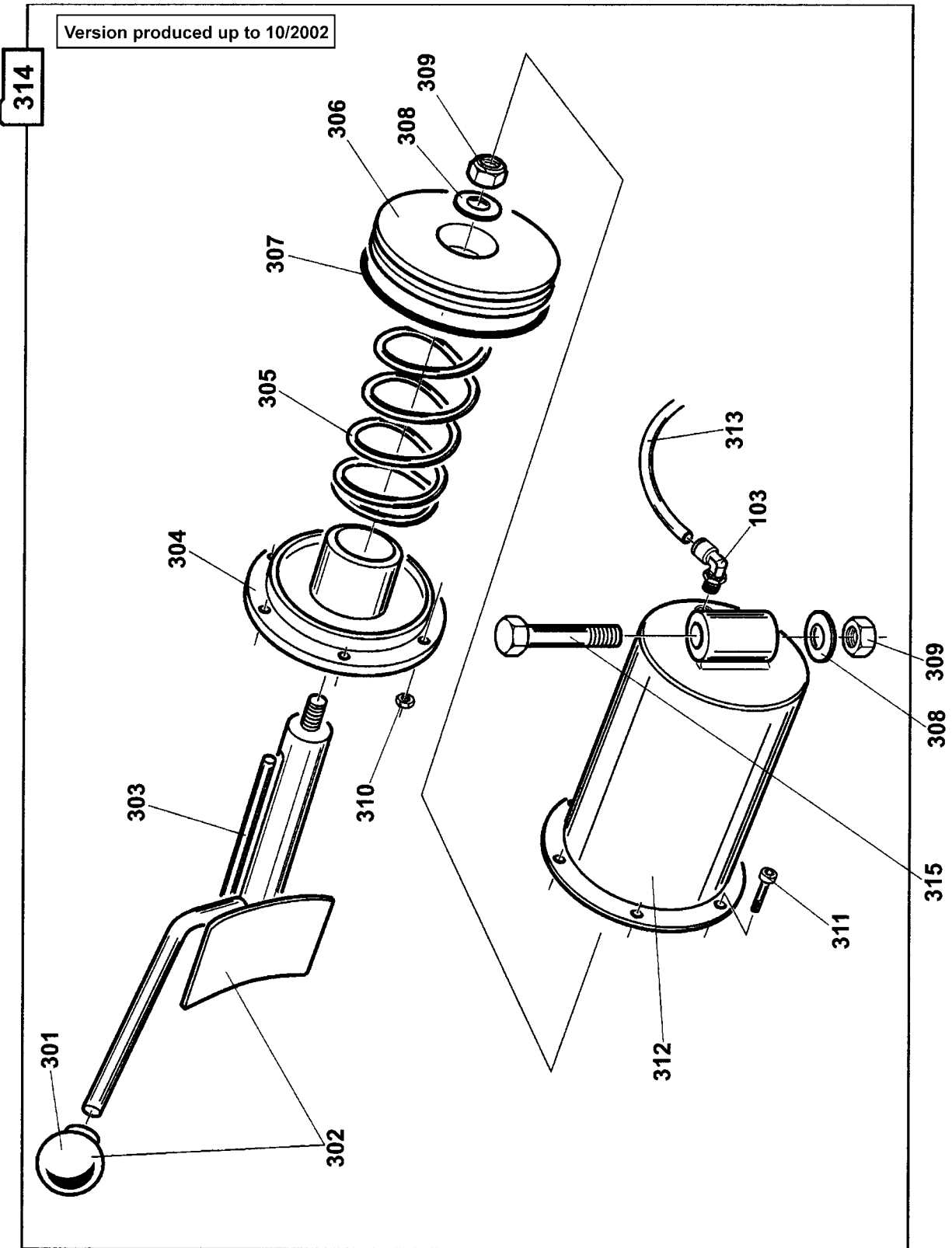


Figure 4B Bead Breaker

Version produced from 11/2002

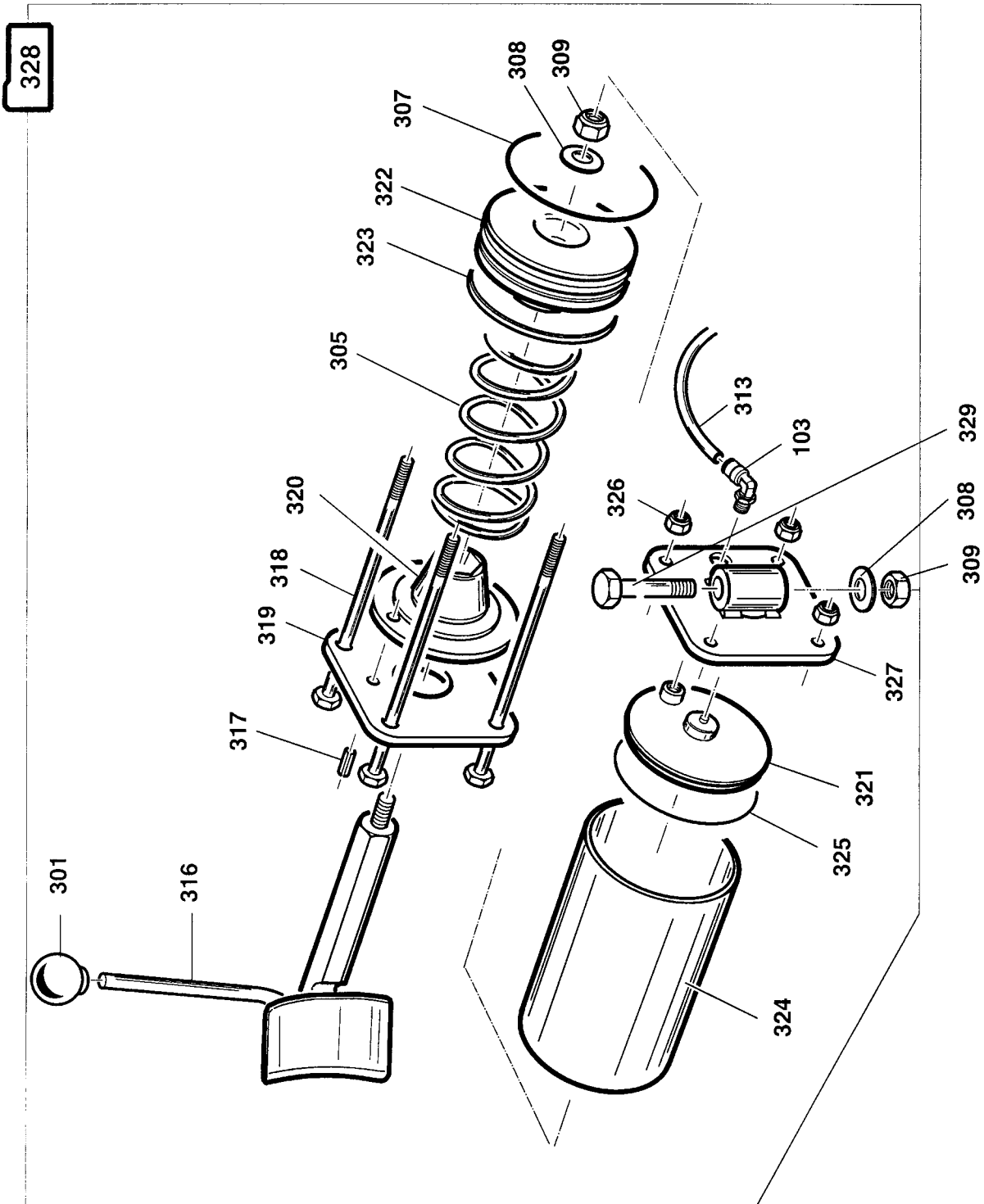


Figure 5A Tower

405

Version produced up to 06/02

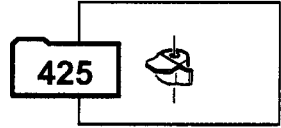
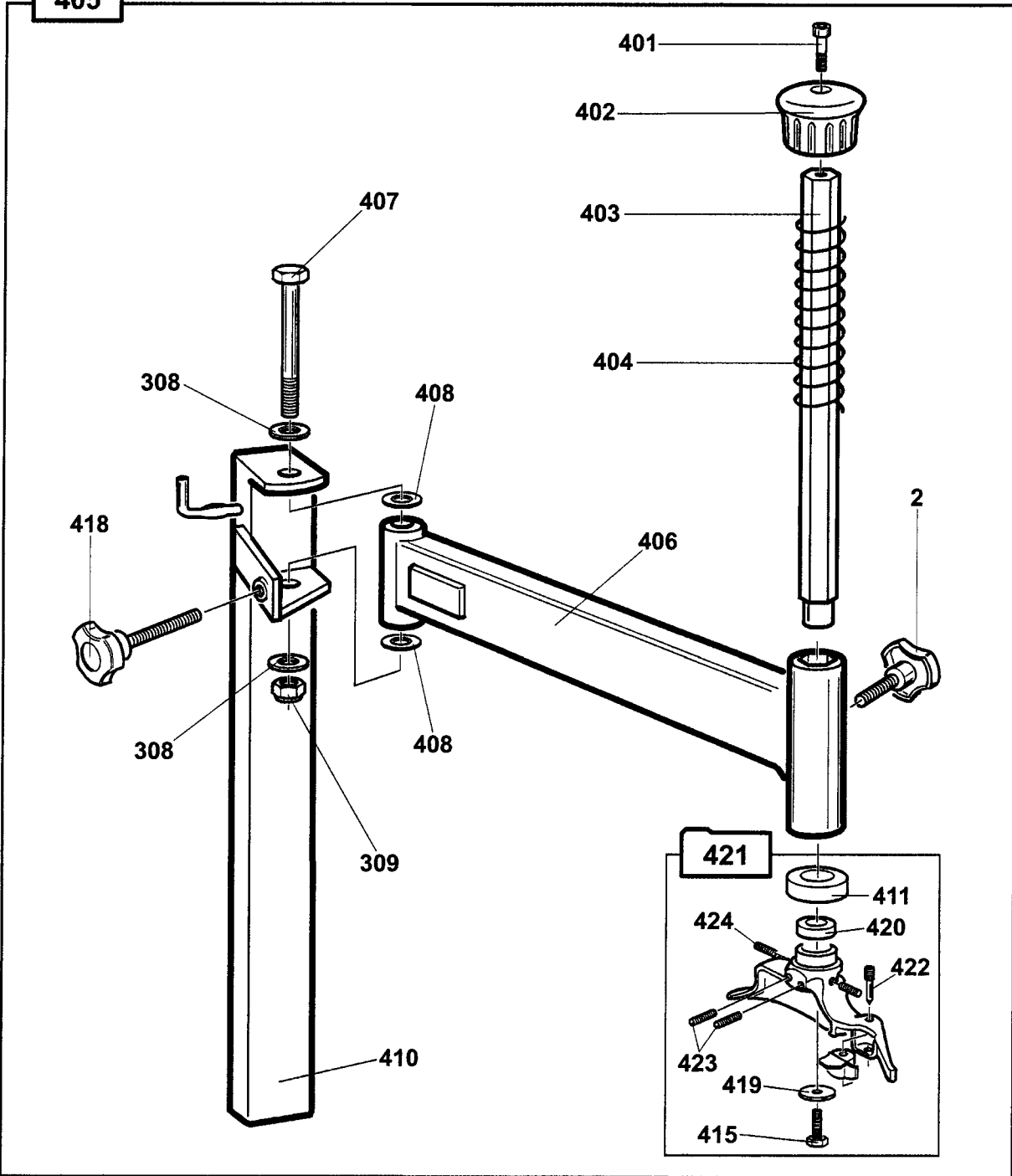


Figure 5B Tower

Version produced from 07/2002

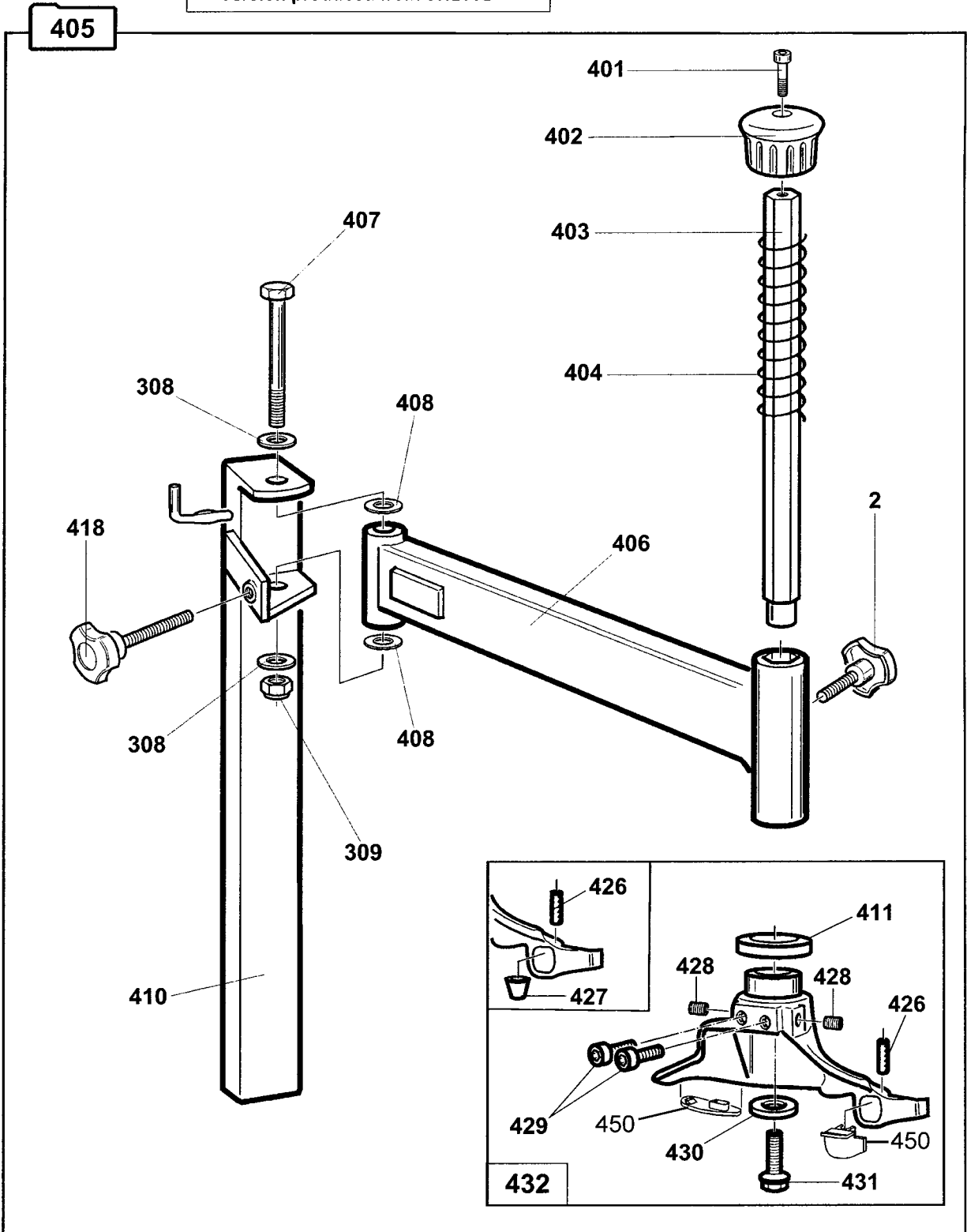


Figure 6 Transmission

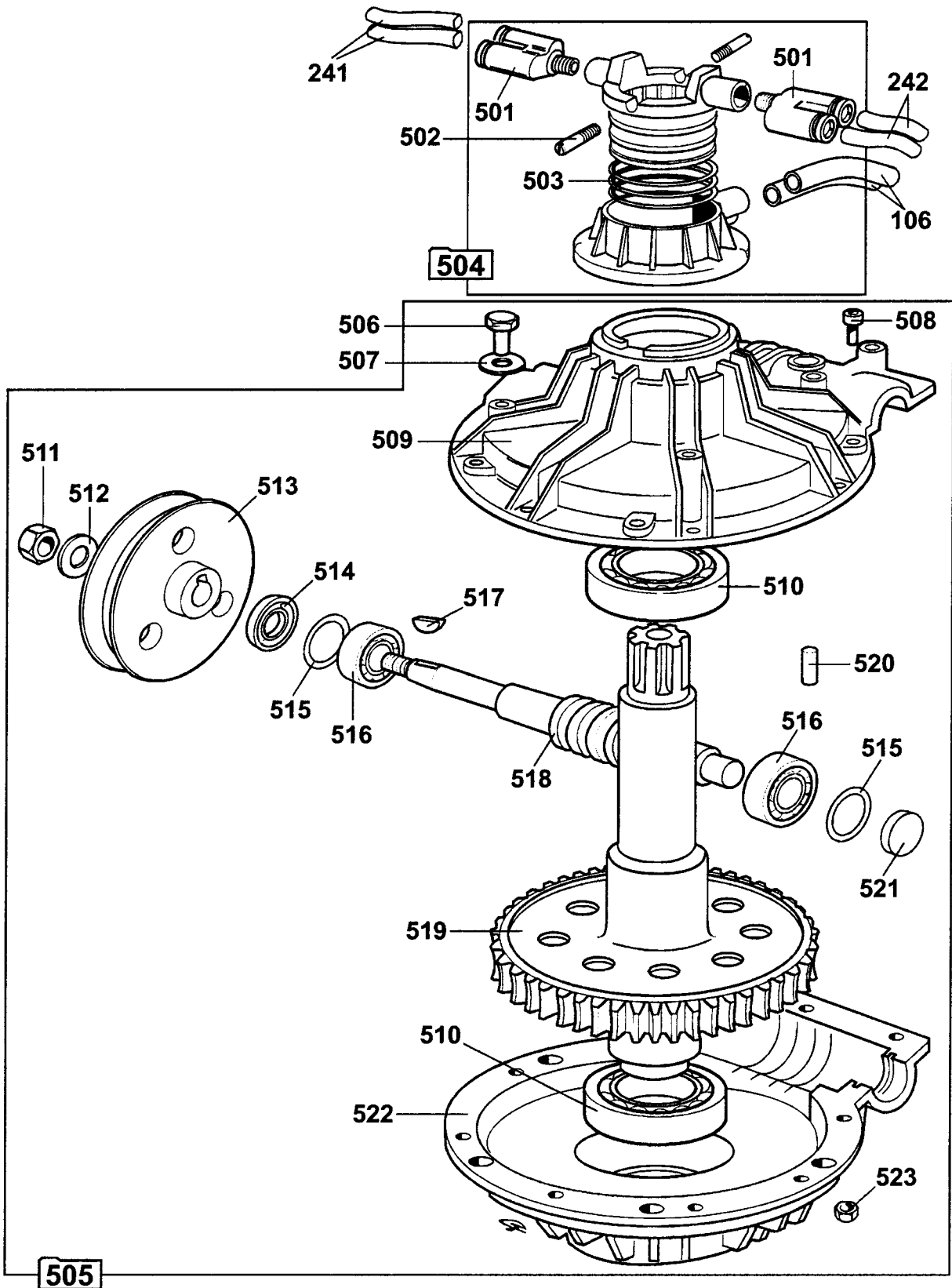


Figure 7A Motor & Switch Not for North America

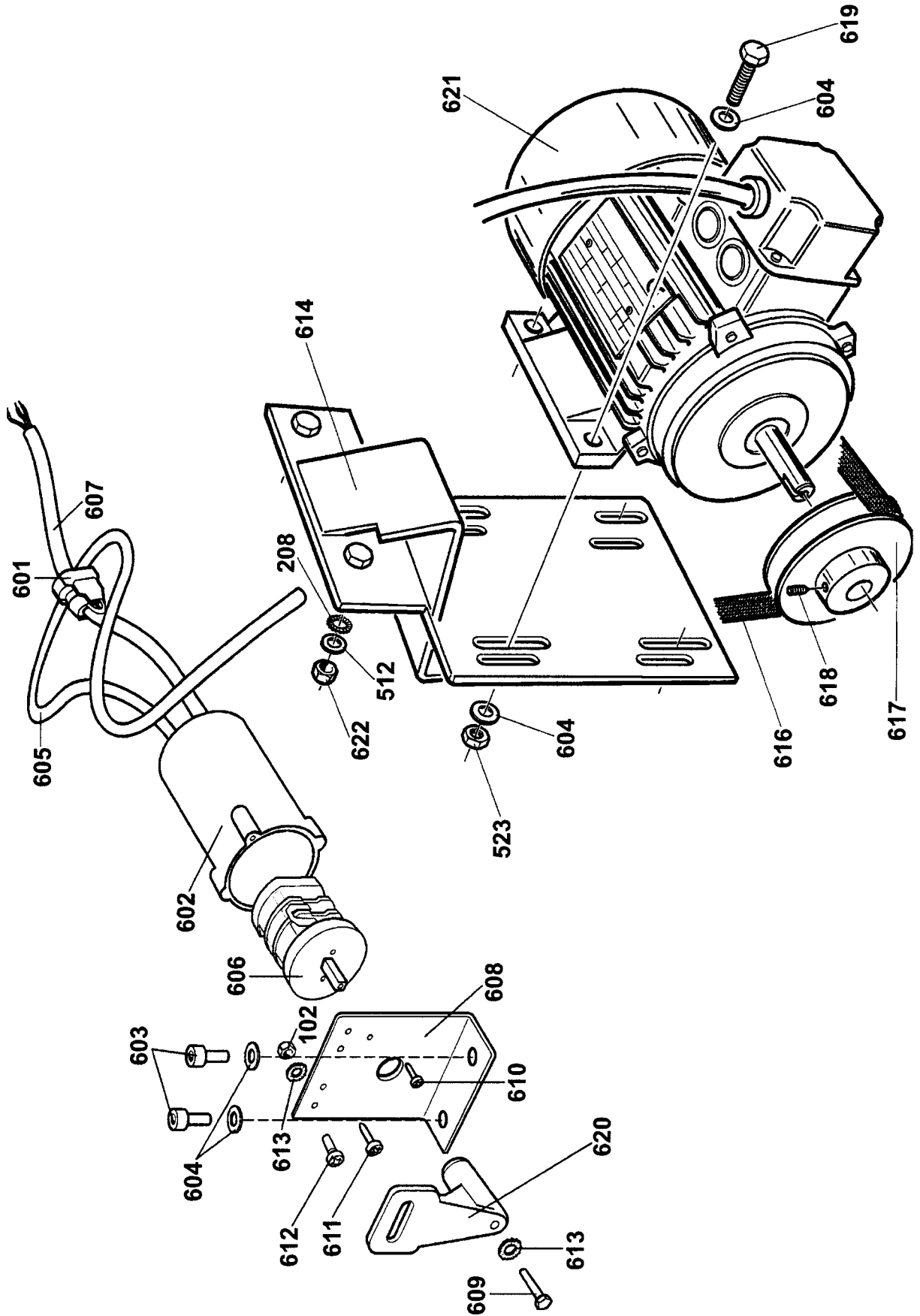


Figure 7B Motor & Switch

Only for north-american market from 02/01

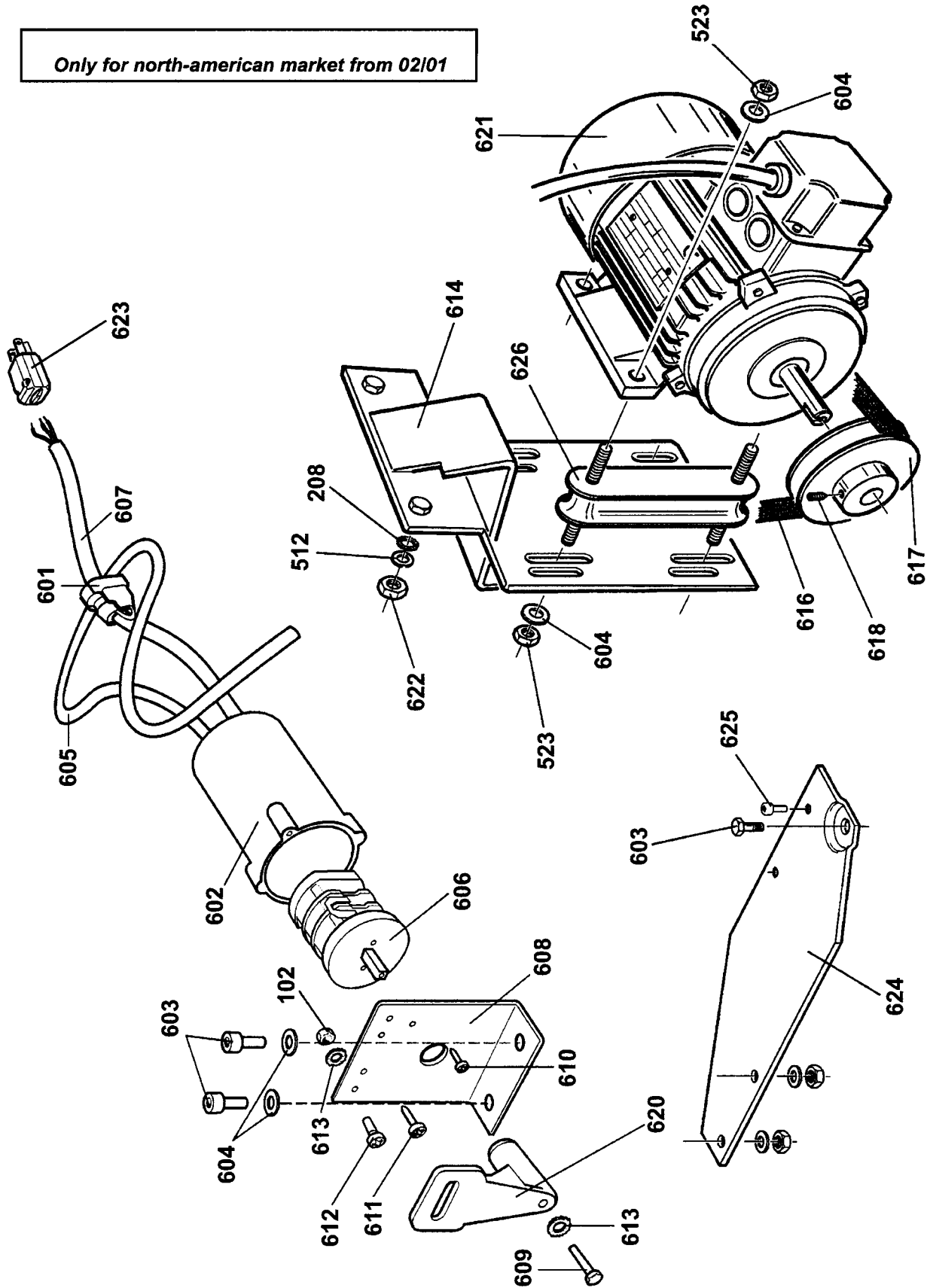
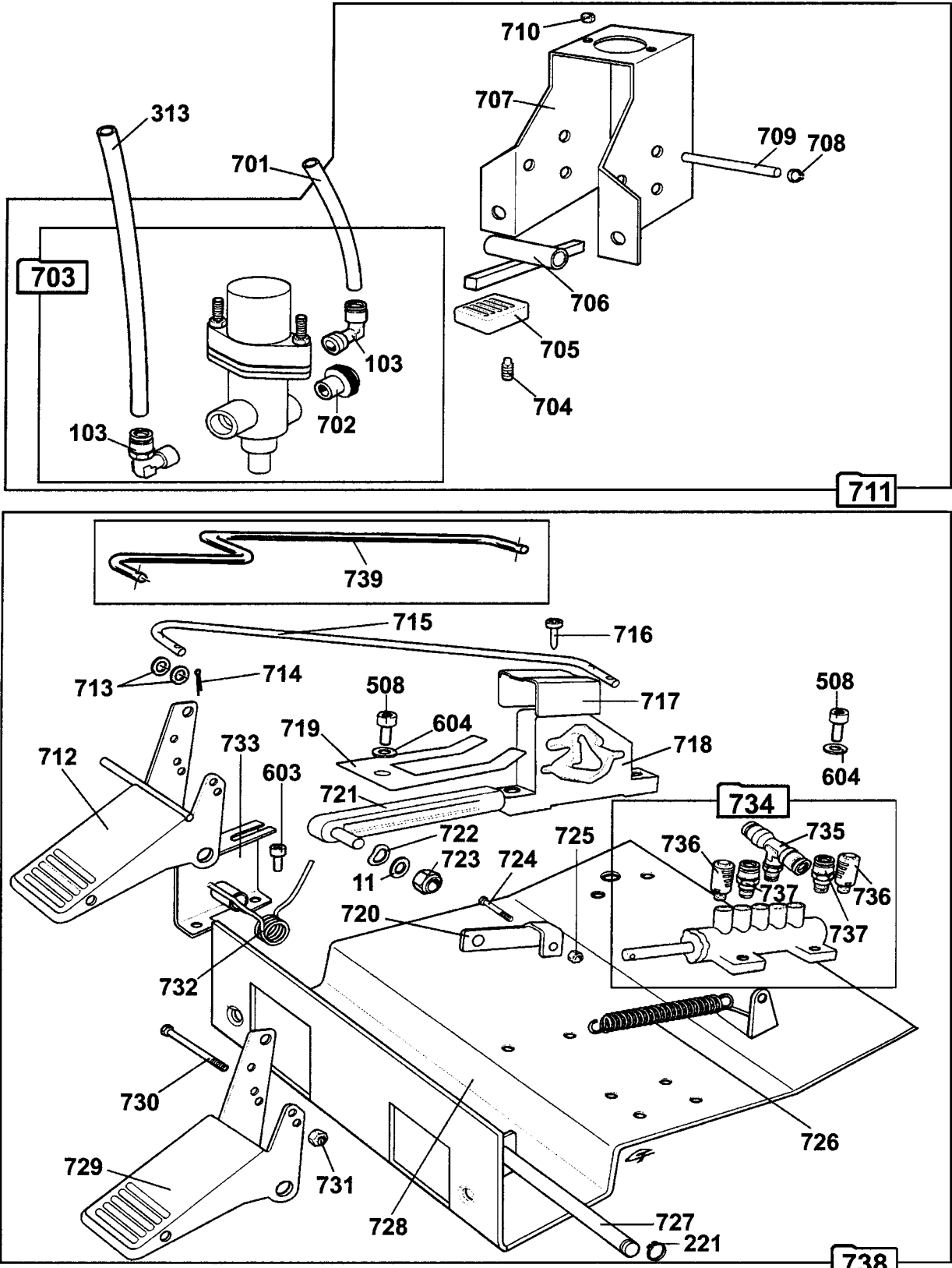
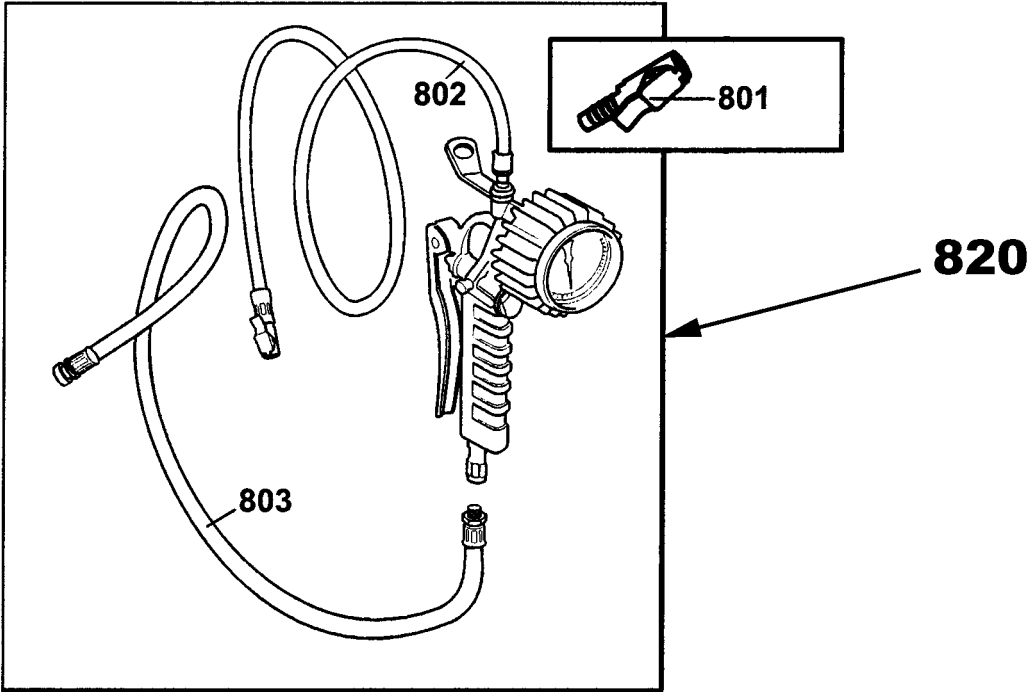


Figure 8 Pneumatic Plate



inside the elbo on the muffler side is a small plastic piece used to constrict the air flow so that the bead breaker shovel movement is slowed down.
 The elbo is unlike the one on the other side because it swivels. Item description 103 is not correct for both. On the muffler side it swivels, on the other side it is fixed.

Figure 9 Hand Held Gauge



No.	Part No.	Description	HWT No.
1	2118616	Body	1975232
2	4219181	Handle with screw	1975233
3	3019110	Locking block for vertical post	1975234
4	2-01066	Screw M8 x 20	1975235
5A	3016344	Tire lever	1975236
5B	EAA0247G02A	Tire lever ** (3009516)	1975315
6	2018693	Locking pin	1975237
7	3094868	Holder for tire paste container	1614008
8A	2118610	Wheel support (1)	1975238
8B	2119774	Wheel support (2)	1975327
9A	3309643	Rubber pad (1) 5 ½" L - 3" W - 1" D	1975239
9B	3019776	Rubber pad (2) 6 ½ " L - 4 ¼" W - 1 ¼" D	1975328
10	2-00319	Screw M8 x 16 (2-00372,4300019,4300070)	1530093
11	2-00212	Washer D 8 (4300154)	1641080
13	2-02411	Screw M4.8 x 16 (4300120)	1532515
14	2-00372	Screw M8 x 16 (see 10)	1530093
15	2-00112	Nut M8 (4300123,4300133,2-00156)	1555080
16	2-01267	Screw M8 x 12 (4300018)	1530091
18A	2201723	Complete set of labels	1975314
18B	2201784	Complete set of labels **	1975337
19	3305148	Plastic insert of foot	1970731
20	3312320	Tire lever protection	1975515
21	3019207	Left panel	1975302
22	2-00713	Washer D 5.5 x 15 (4300163)	1640050
23	2-02773	Screw M5 x 8 (4300091)	1506081
24	2119333	Locking lever	1975307
25A	3019328	Right panel (up to 11/02)	1975304
25B	3020825	Right panel (up to 12/02)	1975591
26	2-71624	Screw 5.5 x 12.7	1975330
27	3017531	Pedal protection	1975329
28	81556	Brush (**)	
29	3305805	Cover for tire paste container **	1970033
30	3305806	Tire paste container (**)	1970034
31	2200091	Tire paste container with cover **	1970778
32	2120563	Wheel Support	1975276
33	3005353	Handle with screw	1802227
34	3020205	Plate	1975345
101	3019331	Plate	1975303
102	2-71506	Nut M4 (4300130,4300254)	1555040
103	4209047	L-union 1/4" 8-6	1976123
104	2-71762	Screw M4 x 45 (4300572)	1975170
105	4205816	Bayonet connection 1/4"	1977242
106	3015501	Pneumatic hose * 8/6 600 mm	1480306

No.	Part No.	Description	HWT No.
107	2018371	Quick inflating valve	1975244
108	3013980	Pneumatic assembly support	1975144
109	2-02573	Screw M4 x 50 (4300237)	1977142
110	4210937	Pressure gauge	1977016
111	4211402	Quick mate union	1977017
112	9476932	Quick union 1/4 " 8-6	1975166
113A	2201632	Complete service unit	1975305
113B	2201726	Complete service unit **	1975325
114	4214580	T-union 1/4"	1977188
115	4215581	Water separator and pressure regulator	1977209
116	4215582	Lubricator	1977210
117	4215725	Lubricator tank	1977213
118	4215724	Water separator	1977212
119	4215723	Filter	1977211
120	4214900	Fitting (D 10.5)	1975532
121	3010923	Pneumatic hose * 8/6 1100 mm	1480306
122	4206815	L-union 1/4"	1486222
123	4214050	Union D8LR **	1977191
124	3012163	Socket-joint 14 x 1.5 **	1975316
125	2-00891	Scew M5 x 10 (4300063)	1524025
126	4220002	Connecting block	1975569
127	4216117	O ring 1.78 x 14	1975570
128	4220824	Complete filter unit (4220003)	1975338
129	2-03033	Screw M4 x 70	1975572
130	4220004	Complete lubricator unit	1975573
131	3019623	Pneumatic assembly support	1975574
132	4220005	Filter and lubricator holder	1975575
133	2-03034	Screw M4 x 50	1977142
134	4220006	Filter tank	1975577
135	4220007	Lubricator tank	1975578
136	4220008	Filter	1975579
137	4300018	Screw M8 x 12	1530091
138	2-00676	Nut M5	1975605
139	2-00853	Screw M5 x 12	1976291
140A	2020826	Complete service unit	1975606
140B	2020827	Complete service unit (**)	1975590
202	3005696	Clamp	1970146
203	2201589	NO LONGER AVAILABLE	
204	2201539	Set of spacer for Go-Kart wheels (4 pieces)	
205	2118659	Clamp support	1975248
206	4206824	Spheric positioner M10 x 16	1972420
207	4300386	Low nut M10	1976575
208	2-71543	Tooth washer D 10 (4300172)	1641100

No.	Part No.	Description	HWT No.
209	2-00435	Screw M12 x 60 (4300047)	1530150
210	2-71970	Screw M8 x 40	1975249
211	3018651	peg	1975250
212	3018627	Stroke end plate	1975251
213	3018635	Upper guide	1975252
214	3018657	Slide	1975253
215	3018634	Guide	1975254
216	3315621	Turntable cap	1975255
217	2-71441	Screw M16 x 1.5 x 40 (4300052)	1530210
218	3094668	Turntable washer	1970526
219	2116785	Turntable	1975256
220	2118661	Sliding guide with pin	1975257
221	2-00025	Seeger ring D 12 (4300186)	1657012
222	2-00214	Washer D 12 (4300156)	1641130
224	3010736	Spacer for control plate	1977029
225	2-00153	Nut M12	1975258
226	2-01283	Circlip D 65 (4300192)	1657065
227	2016784	Control plate	1975259
228	3018650	Sliding guide	1975260
229	3016789	Bush	1975261
230	4209656	L-quick union 1/8" 8-6	1975079
231	2-00321	Screw M8 x 25 (4300072)	1976546
232	3016713	Rear flange for cylinder D 63	1976671
233	4216710	Gasket 1.78 x 63	1976667
234	3019182	Casing cylinder D 63	1975262
235	2-00158	Low nut M12 (4300409)	1977143
236	3016711	Piston D 63	1976668
237	3016709	Front flange for cylinder D 63	1976666
238	3019183	Piston rod	1975263
239	4216708	Guide for shaft D 20 x 20	1976665
240	4206114	Lipped gasket	1977050
241	3093866	Pneumatic hose * 8/6 400 mm	1480306
242	3014052	Pneumatic hose * 8/6 300 mm	1480306
243	2201616	Set of gaskets for cylinder D 63	1975264
244	2201617	Complete clamping cylinder	1975265
245	2201619	Complete chuck	1975266
246	2201756/4	Set of plastic encapsulated clamps (8 pieces)	
247A	4219755	Special screw M8 x 25 (up to 09/01)	1975331
247B	4220210	Special screw M8 x 40 (from 10/01)	1975346
248	2119750	Clamp support	1975332
249	2201761	Protection 11.5 mm thick (8 pieces)(from 02/01 up to 06/02)	
250	2120611	Clamp support	1975349
251	3320615	Pin guide	1975350

No.	Part No.	Description	HWT No.
252	2-02519	Seeger ring D 72	1975351
253	2020444	Complete control flange	1975352
254	4217860	Piston D 70	1975353
255	3-80100	Bush 20 x 23 x 20	1975354
256	3021087	Shaft D 20 x 435	1975355
257	2201403	Complete front flange D 70	1975356
258	4216812	O ring 1.78 x 69.57	1975357
259	3021088	Spacer	1975358
260	3010677	Washer D 12.5 x 30 x 3	1975023
261	2-01276	Nut M12 (4300389)	1976669
262	3021085	Tie rod M8 x 342	1975359
263	3021086	Casing D 70 x 307	1975360
264	3016809	Rear flange D 70	1975361
265	4215706	L-quick union 1/8" 8-6	1975362
266	2201402	Set of gaskets for cylinder D 70	1975363
267	2202252	Complete cylinder D 70 x 248	1975364
268	2119722	Chuck	1975365
269	2120595	Slide guide with pin	1975366
270	3020438	Spacer D 12.25 x 24 x 6	1975367
271	3020614	Upper guide	1975368
272	3019889	Lower slide	1975369
273	2-00151	Nut M8 (4300220)	1975199
274	4209740	O ring 3.53 x 63.09	1975607
275	3020831	Casing D70	1975608
276	3020642	Rear flange D 70	1975609
277	3020521	Shaft D 20	1975610
278	4220637	Gasket 20 x 26 x 3.6	1975611
279	2202348	Front flange with gasket	1975612
280	2202349	Set of gaskets & piston D 70	1975613
281	2200073	Union 1/8" 8-6	1486075
282	3021199	Spacer D 13 x 24 x 5	1975614
290	2201757	standard set of 4 supports w/clamps	
291	4028207	dirt bike supports w/clamps (set of 4 optional)	
292	413163	Protector for clamp (2 in each clamp) (3305341)	
293	2202199	Protection 24 mm thick (8 pieces)(from 07/02)	
301	3305242	Knob	1811032
302A	2201620	Motorcycle shovel with knob	1975267
302B	2202205	Motorcycle shovel with knob (3)	1975344
303A	3018637	Tongue (1)	1975268
303B	3019764	Tongue L = 165 mm (2)	1975333
304A	3018631	Front flange cylinder D 125 (1)	1975269
304B	3019768	Front flange cylinder D 125 (2)	1975334
305A	3018638	Spring (1)	1975270

No.	Part No.	Description	HWT No.
305B	3019771	Spring (2)	1975335
306	3018652	Piston D 125	1975271
307	4211364	O-ring D 113.7 x 5.34	1972331
308	2-01045	Washer D 16 (4300158)	1977149
309	2-01096	Nut M16 x 1.5 (4300514)	1977219
310	2-02795	Nut M6 (4300547)	1976126
311	2-00310	Screw M6 x 20 (4300272)	1977148
312A	2118628	Casing cylinder D 125 (1)	1975272
312B	2119769	Casing cylinder D 125 (2)	1975336
313	3010470	Pneumatic hose *8/6 500 mm	1480306
314A	2019761	Cylinder D 125	1975273
314B	2020566	Cylinder D 125 (3)	1975347
315	3012258	Special screw M16 x 1.5	1975274
316A	2120588	Motorcycle shovel	1975603
316B	2120587	Motorcycle shovel (**)	1975593
317	2-01219	split pin D 8 x 20	1975592
318	3019738	special screw M10 x 240	1976927
319	3020583	Front flange D 125	1975594
320	3020589	Front cylinder head D 125	1975595
321	3320590	Rear cylinder head D 125	1975596
322	3020577	Piston D 125	1975597
323	4220578	Guide WR 125 x 5.6	1975598
324	3020580	Casing D 125	1975599
325	4220594	O ring 2.62 x 120.32	1975600
326	2-01019	Self-locking nut M10 (4300146)	1557101
327	2120582	Rear flange D 125	1975601
328A	2020592	Complete cylinder D 125 x 125	1975604
328B	2020591	Complete cylinder D 125 x 125 (**)	1975602
329	2-71404	Screw M16 x 110	1975378
401	2-00322	Screw M8 x 30 (4300073)	1524062
402	3305161	Knob	1707530
403	3018611	Hexagonal arm for mounting head	1975275
404	3005169	Vertical arm spring	1975306
405	2018692	Complete mounting column	1975284
406	2118614	Swinging arm	1975277
407	3018617	Special screw M16 x 1.5	1975278
408	3015495	Washer D 16.5 x 50 x 1.5	1977218
410	2118641	Mounting column	1975280
411	3309545	Mounting head shock absorber	1975046
415	2-00380	Screw M10 x 25 (4300028)	1530118
418	4216676	Handle with screw	1975228
419	3019403	Washer D 10.5 x 33 x 5	1975308
420	3019408	Spacer D 36 x28 x 8	1975309

No.	Part No.	Description	HWT No.
421	2201703	Motorcycle wheels mounting head	1975310
422	3019495	Pin	1975311
423	2-00946	Screw M10 x 16	1975312
424	2-02981	Screw M10 x 10	1975313
425	8000072	Plastic insert for #2201703 head	
426	4220605	Split pin D 5 x 25	1975340
427	3093674	Tapered roll	1970055
428	2-01146	Screw M10 x 10	1975341
429	2-02586	Screw M 10 x 20 12K	1540080
430	9350194	Mounting head fixing washer	1975342
431	9350197	Mounting head fixing screw	1975343
432	2202073	Complete mounting head	1975339
450	2201645	Set of inserts for #2202073 head - 10 each nose & tail insert	
501	4217294	Y-union 1/8" D 8	1976878
502	3010107	Screw for rotating union	1975180
503	4207833	O-ring 65 x 60 x 2.6	1970691
504	2018839	Complete rotating union	1975285
505	2017423	Complete gearbox	1975286
506	2-00424	Screw M10 x 50 (4300035)	1530123
507	4300590	Washer D 10 x 28 x 4	1976692
508	2-00999	Screw M6 x 18 (4300066)	1524043
509	3012603	Upper gear box housing	1977229
510	4100004	Roller bearing 6010	1977090
511	2-00152	Nut M10 (4300128)	1556104
512	2-00213	Washer D 10 (4300155)	1641100
513	3005201	Pulley at gear box side	1970095
514	4206095	O-ring 2035/10	1977103
515	4206091	Ring 34.52 x 3.53	1977102
516	4100005	Roller bearing 30204	1977092
517	2-00667	Woodruff Key 6 x 9 (4300194)	1692506
518	3006014	Worm screw	1977101
519	2407827	Gear wheel	1975052
520	4210480	Pin D 8 x 20	1977099
521	4210479	Cap D 35 x 8	1977098
522	3006086	Lower gear box housing	1977230
523	2-00111	Nut M6 (4300132)	1555060
601	4206664	Cable holder	1970043
602	3307305	Reverse protection	1977247
603	2-00715	Screw M6 x 12 (4300017,4300065,2-00360)	1524041
604	2-00211	Washer D 6 (4300153)	1641060
605A	2407436	3-phase motor connecting cable	1970594
605B	2407445	1-phase motor connecting cable	1970698
605C	2407448	1-phase motor connecting cable 110 V **	1970699

No.	Part No.	Description	HWT No.
606	5-400682	Reverse switch (4213369)	
607A	2407396	3 PH. lead-cable	1970696
607B	2407443	1 PH. lead-cable	1970730
607C	2407446	1 PH. lead-cable 110 V **	1970697
608A	3011201	Reverse support	1975054
608B	3014661	Reverse support **	1975321
609	2-00350	Screw M4 x 16 (4300256)	1530033
610	2-02436	Screw M3 x 6 (4300084)	1506044
611	2-71491	Screw 3.5 x 12.7 (4300115)	1532253
612	2-00605	Screw M4 x 10 (4300089)	1506063
613	2-71541	Tooth washer D 4 (4300169)	1644004
614	2119015	Motor mounting plate	1975287
616	4206552	V-belt A-23	1970093
617A	3018675	Motor pulley (50 Hz)	1975288
617B	3017322	Motor pulley (60 Hz)	1975289
617C	3005316	Motor pulley (110 V 60 Hz) **	1970539
617D	3014625	Motor pulley (230 V 1 ph - 50 Hz)	1975348
618A	2-02561	Screw M8 x 14 (50 Hz) (4300099)	1970540
618B	2-00915	Screw M6 x 14 (60 Hz)	1975290
619	2-00363	Screw M6 x 25 (4300009)	1530076
620	3394587	Reverse lever	1970566
621A	4217341	Motor 230 / 400V 3 PH 50/60 Hz	1975291
621B	4217377	Motor 230V 1 PH 50 Hz	1975292
621C	2201614	Motor 230V 1 PH 60 Hz	1975293
621D	3-00932	Motor 110V 1 PH 60 Hz ** (4215947)	1975322
622	2-00113	Nut M10 (4300134)	1555100
623	4208414	1 -phase plug **	1975317
624	3018883	Plate **	1975320
625	2-00359	Screw M6 x 10 (**) (4300010)	1530071
626	4207454	1 -phase motor shock absorber **	1975323
701	3005164	Pneumatic hose * 8/6 260 mm	1480306
702	3-00186	Silencer 1/4" (4212845)	1462250
703	2019017	Bead breaker valve	1975294
704	2-00543	Screw M6 x 8 (4300364)	1975122
705	3310066	Rubber pedal	1975118
706	2118603	Bead breaker pedal	1975295
707	3015544	Valve holder	1977237
708	4215545	Ring D 8	1975211
709	3015540	Pin	1975210
710	2-00110	Nut M5 (4300131)	1555050
711	2018605	Complete bead breaker pedal	1975296
712	2115774	Pedal for chuck rotation	1975297
713	2-00679	Washer D 6 x 18 (430164)	1640060

No.	Part No.	Description	HWT No.
714	4300179	Cotter pin D 2 x 20	1681008
715	3094451	Reverse connecting rod	1970565
716	2-01981	Screw 2.9 x 6.5 (4300215)	1975102
717	3009605	Connecting rod guide	1975073
718	3306148	Trip cam	1970572
719	3006149	Fork leaf spring	1970587
720	3009407	Connecting rod	1975072
721	2406150	Cam connecting rod	1970573
722	2-02248	Washer D 8 (4300167)	1647080
723	2-01020	Nut M8 (4300140)	1557080
724	2-00397	Screw M4 x 25 (4300002)	1530134
725	2-01018	Nut M4 (4300138)	1557041
726	3009412	Spring for pedals return	1975071
727	3015524	Pedal pin	1977234
728	3015695	Pedal base	1977235
729	3009553	Left pedal	1975068
730	2-00717	Screw M6 x 60 (4300015)	1975101
731	2-01257	Nut M6 (4300139)	1557061
732	3006047	Pedal spring	1970125
733	2409607	Support for reverse pedal	1975066
734	2309657	Valve for chuck	1975074
735	4209658	T-quick union 1/8" D 8	1975077
736	4293991	Silencer 1/8"	1422003
737	4209029	Quick union 1/8" 8-6	1975076
738A	2015536	Complete pedals	1975298
738B	2018951	Complete pedals **	1975326
739	3018881	Reverse connecting rod **	1975324
801	4205451	Inflating valve	1480841
802	2407055	Inflating hose assy	1423153
803	2407054	Air inlet hose with unions	1977249
804	2406117	Air inlet hose with unions	1977250
805	2407052	Inflating hose assy	1970099
806	2-02582	Screw M12 x 40 (4300081)	1524104
807	2115210	Mounting head holder	1975299
808	2-01165	Screw M10 x 30	1975300
809	3009851	Claw for motorcycle	1970773
810	2015215	Complete mounting head	1975301
820	3-00333	Complete Hand held inflating gauge (2306820)	

* Please specify length in your order

** Only for North American market

No.	Part No.	Description	HWT No.
		(1) For North American until 01/01	
		(2) For North American from 02/01	
		(3) For North American from 10/01	



HOFMANN USA

309 Exchange Ave. Conway, AR 72032 Phone 800-251-4500 Fax 501-450-2085

www.hofmann-usa.com

HOFMANN BALANCING TECHNIQUES LTD. CANADA

6500 Millcreek Dr. Mississauga, Ontario L5N 4G4 Phone 800-267-2185 Fax 905-821-2073

www.hofmann.ca

Edition 04/03 Revised 10/11