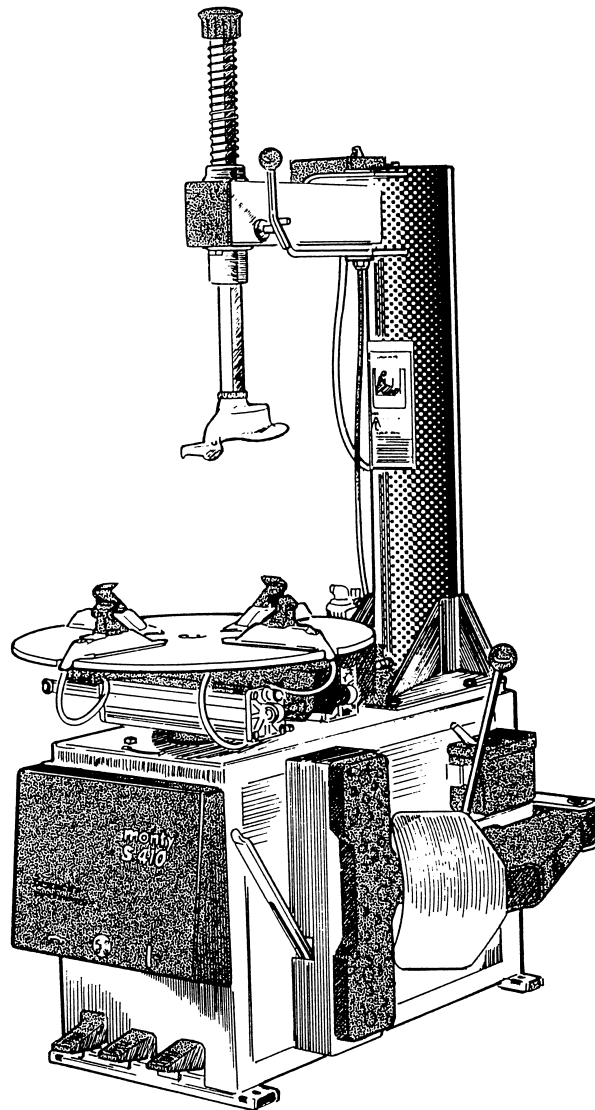


# *monty* S410

---

Spare Parts list

Tire Changer



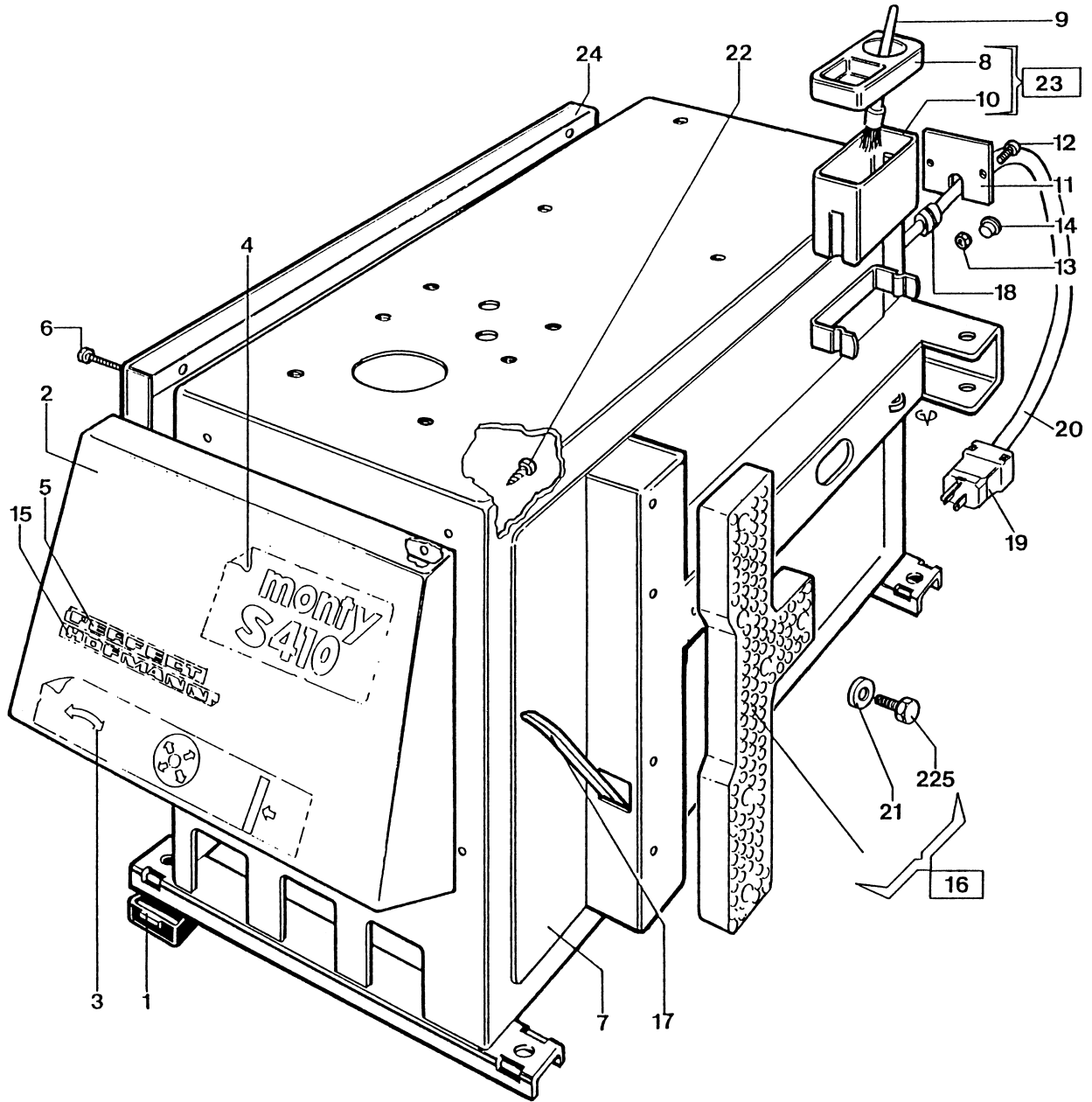
---

**HOFMANN**®

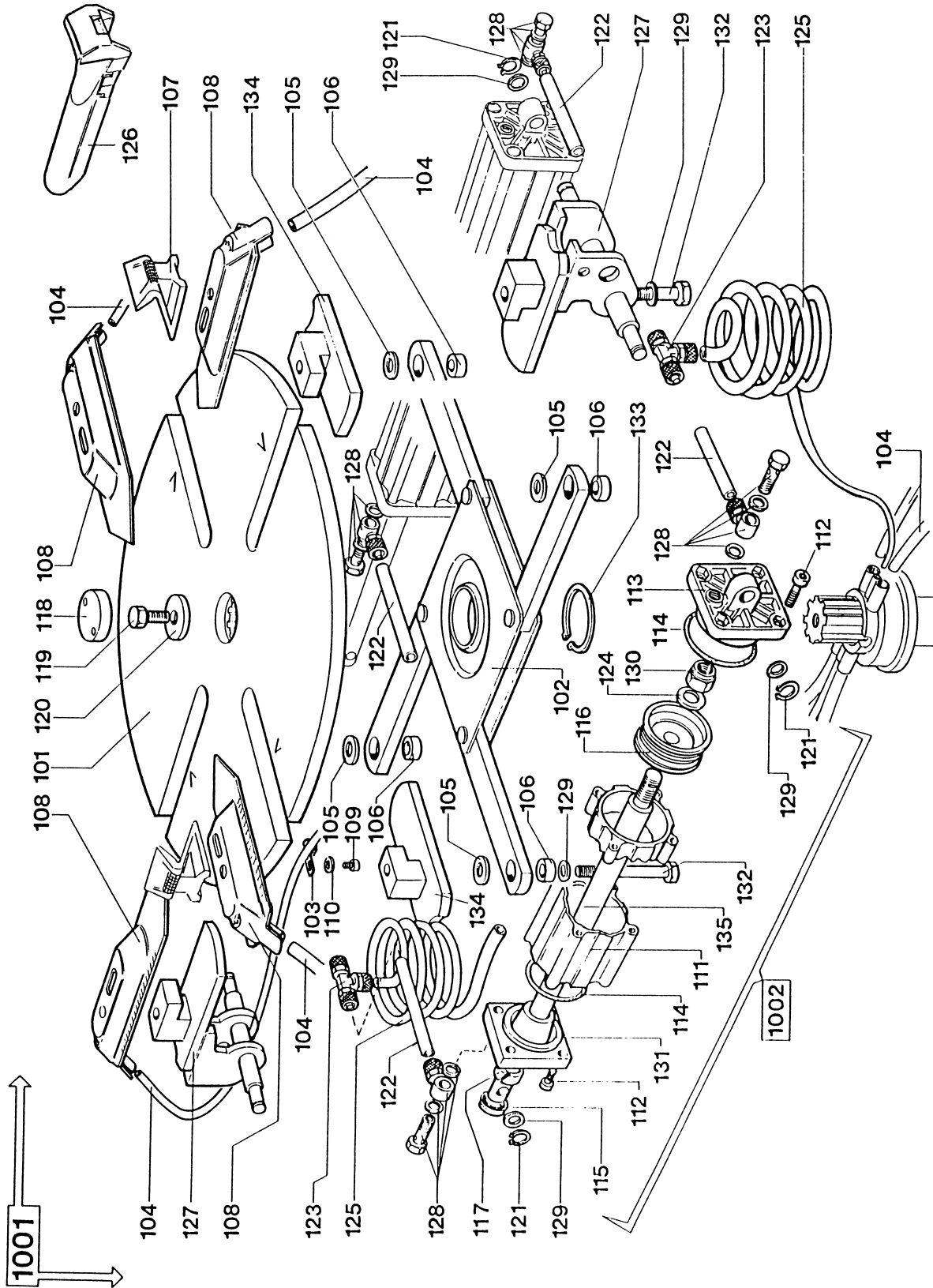


Date 04/24/12

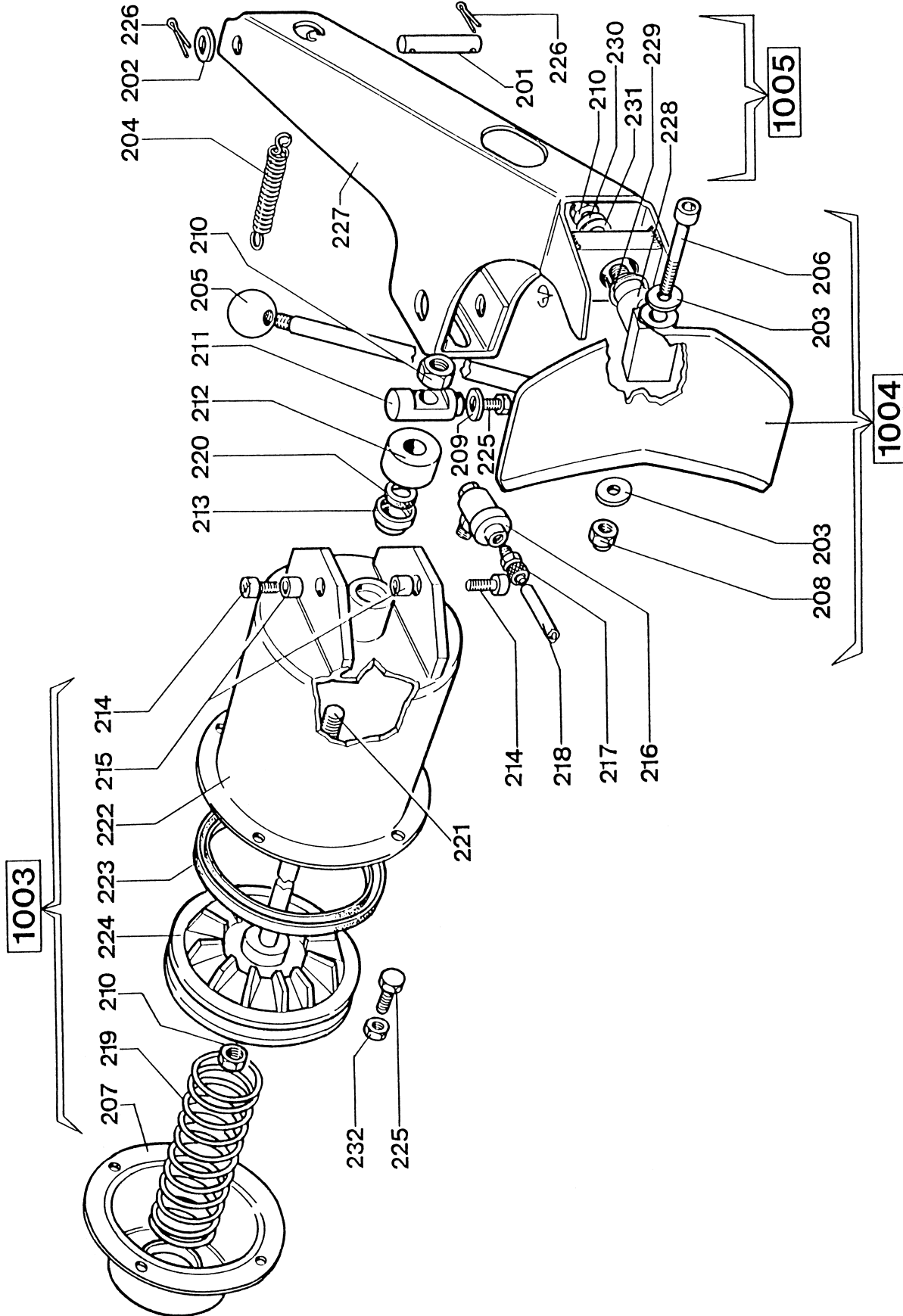
# Figure 1 Chassis



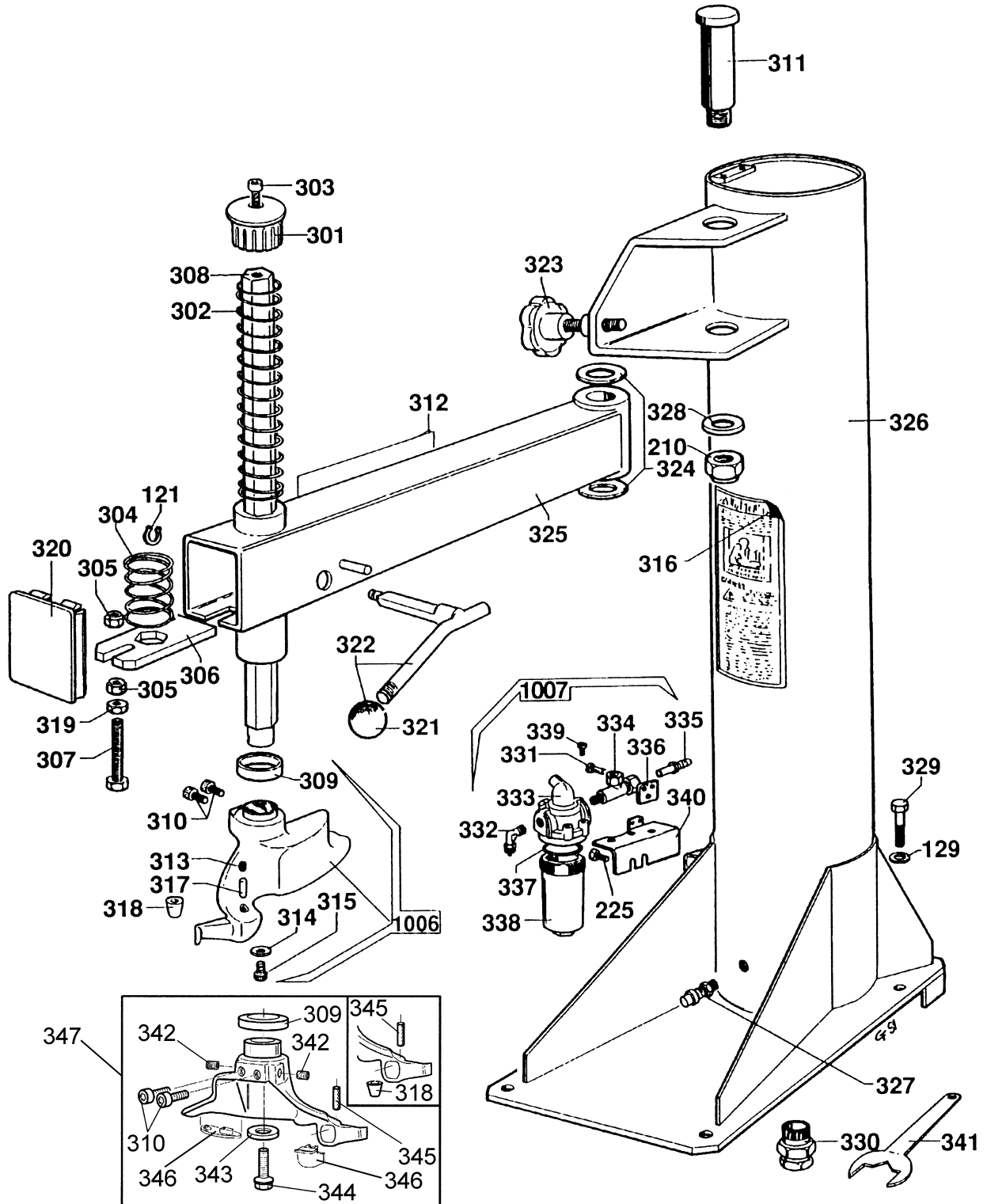
**Figure 2 Turntable**



**Figure 3 Bead Breaker**



# Figure 4 Tower



# Figure 5 Transmission, Motor, Switch

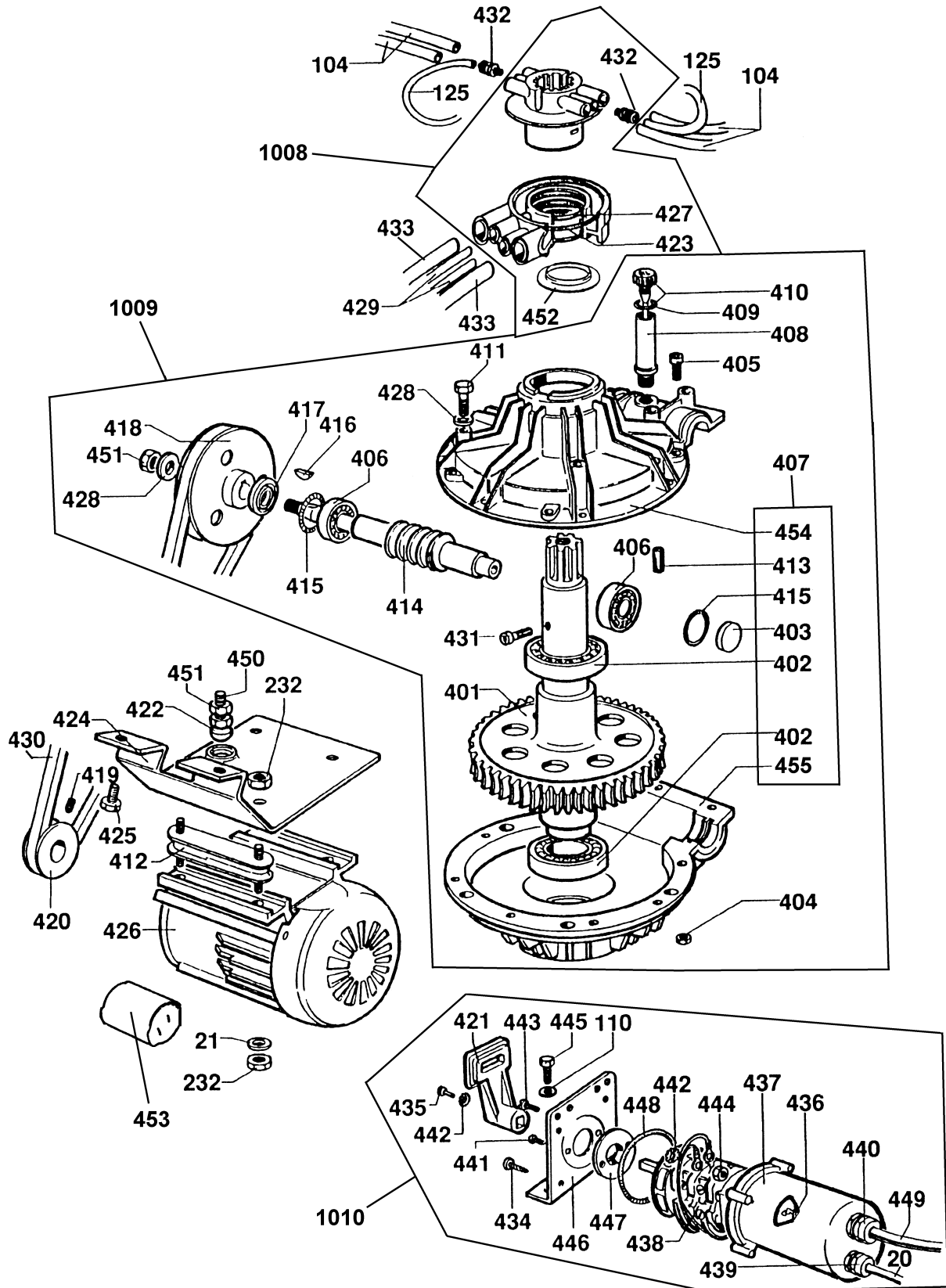


Figure 6 Pneumatic Plate

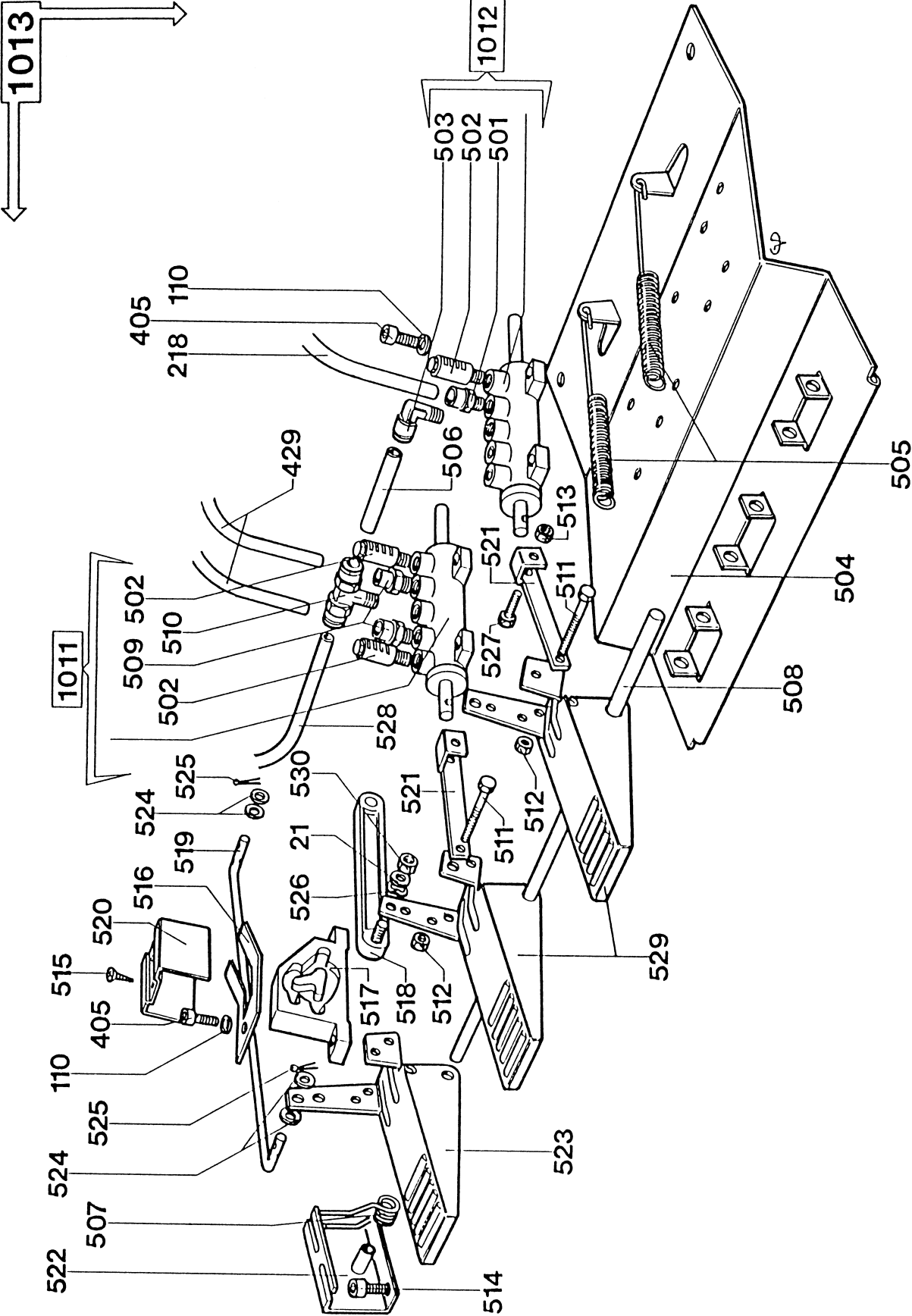
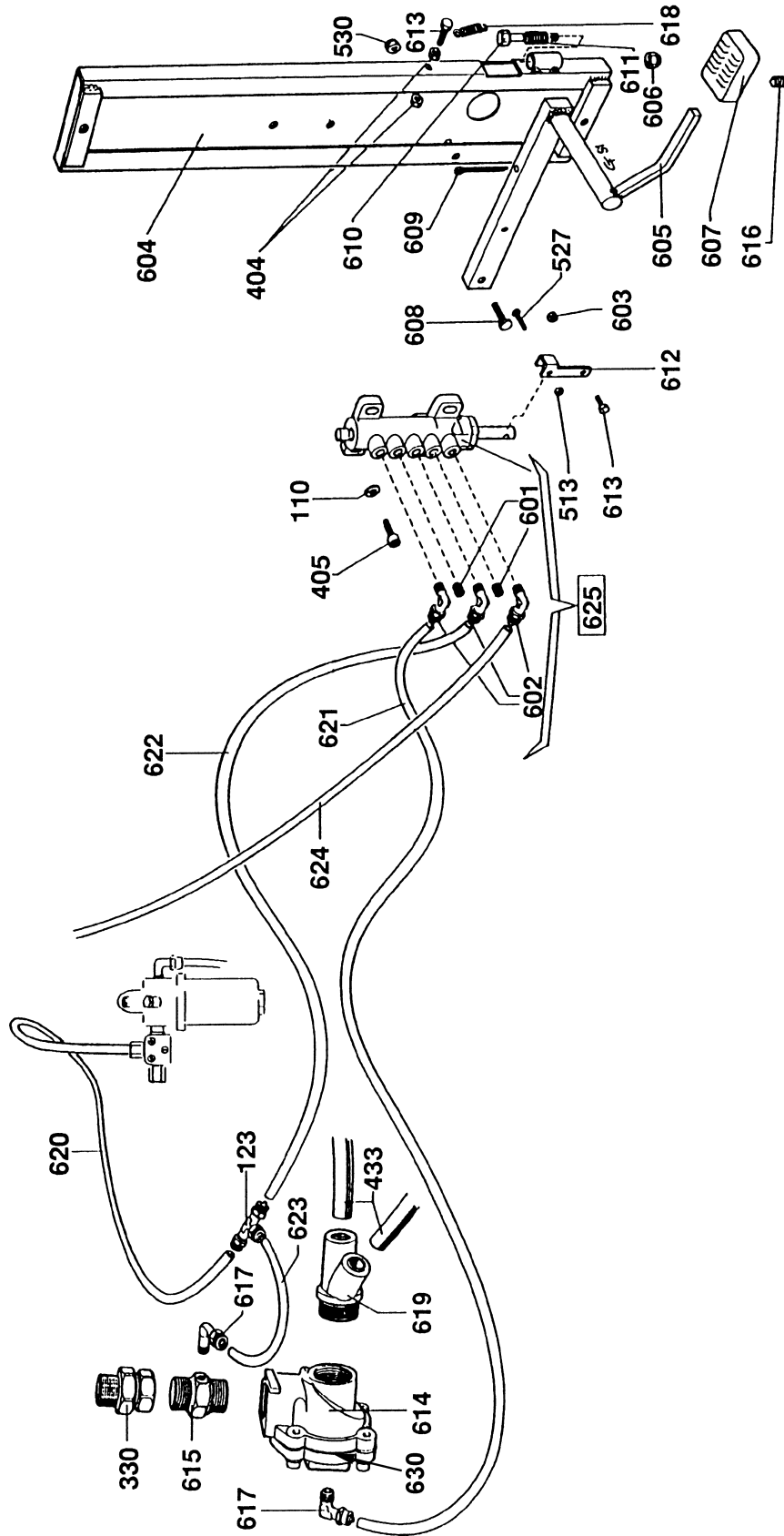


Figure 7 Inflating Valve





**Figure 8 Gauge Box & Hand Held Gauge**

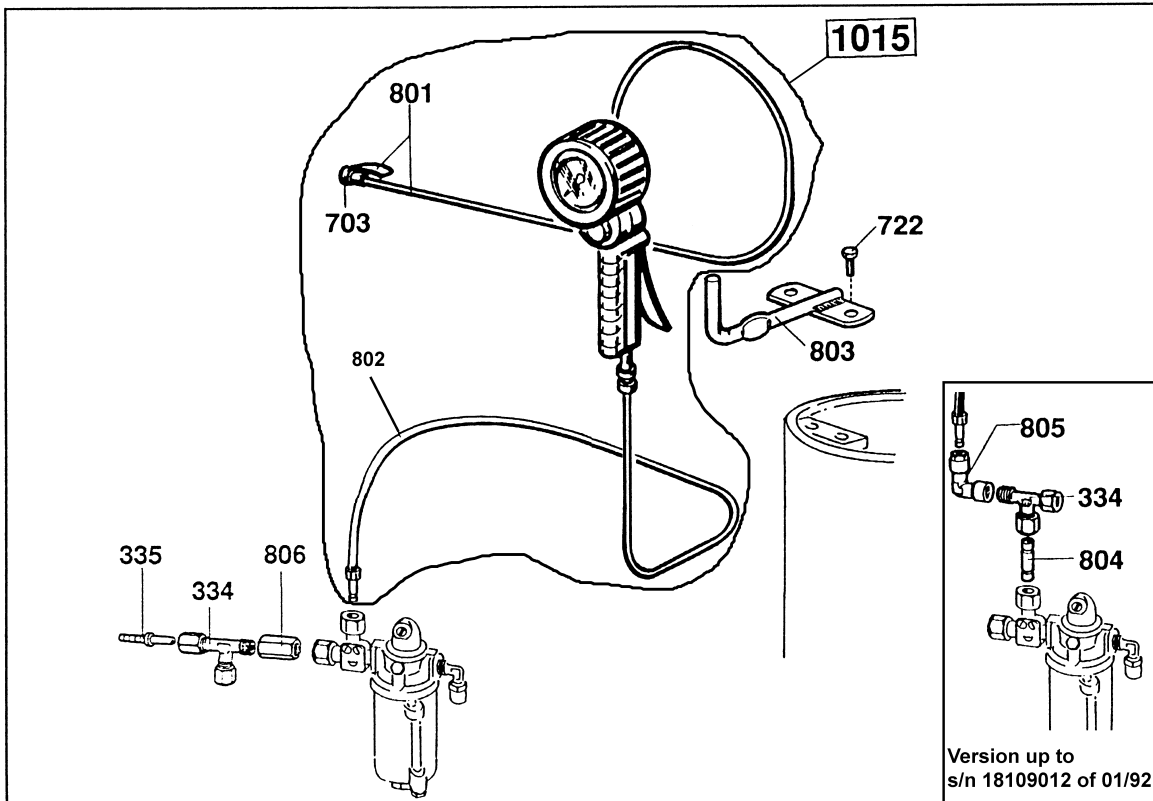
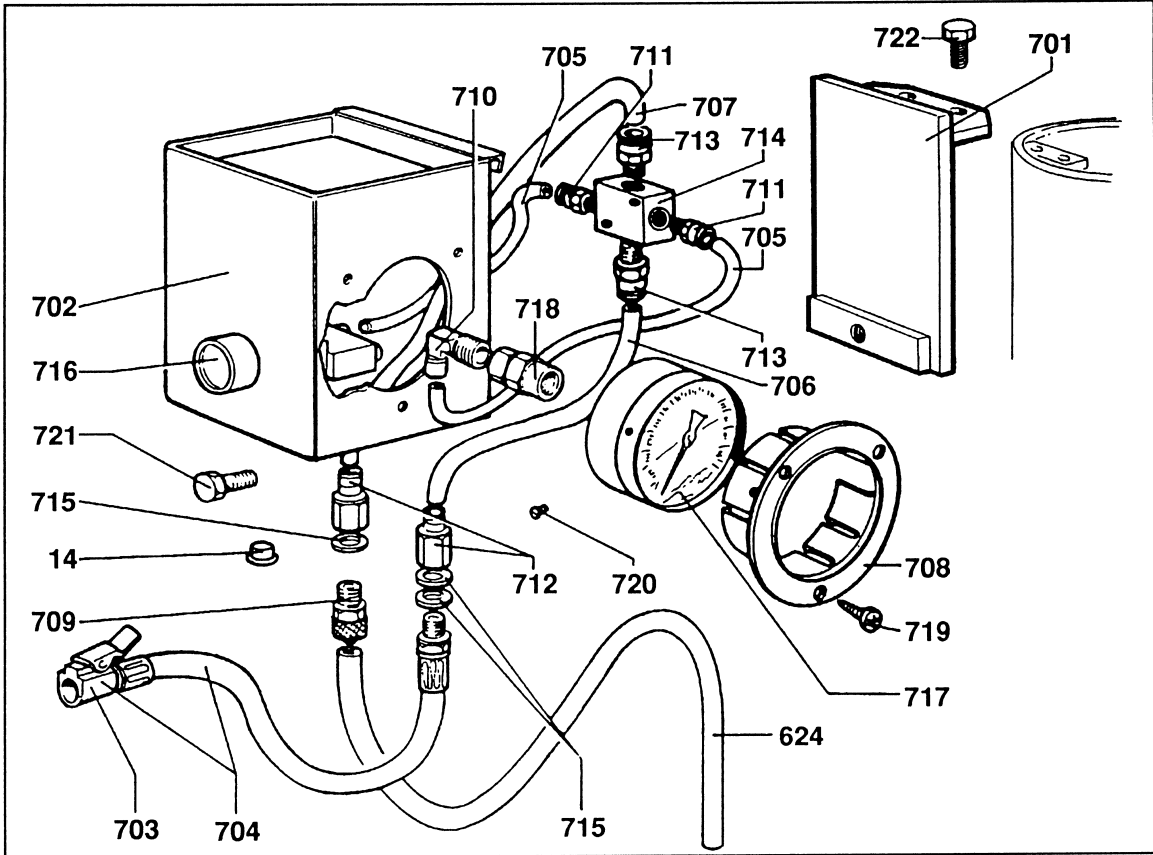
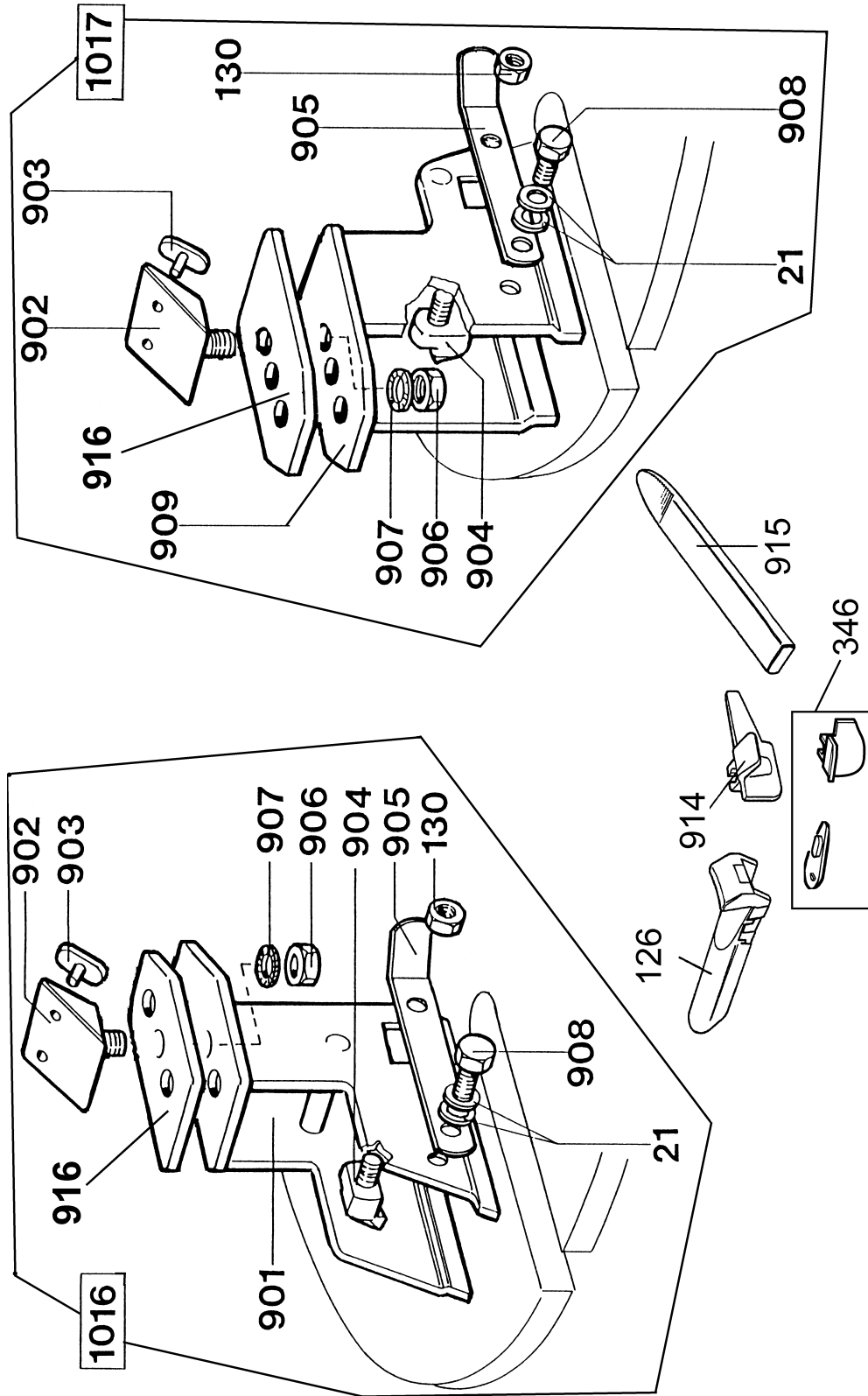


Figure 9 Accessories



<b>No.</b>	<b>Part No.</b>	<b>Description</b>
1	3305148	Foot
2	3008935	Pedal protection
3	3006250	Pedal sticker
4	3010751	"Monty S 410" sticker
5	3010749	"HOFMANN" sticker
6	4300371	Screw 4.8 x 40
7	2110448	Body
8	3305805	Cover for tire paste container
9	81556	Tire paste applicator
10	3305806	Tire paste container
11	3010871	Motor plate 110V. - 1 Ph. - 60 Hz.
12	4300092	Screw M5 x 10
13	4300131	Nut M5
14	4206104	cover 11.5
15	3010750	PERFECT sticker
16	2200525	Wheel support with fixing screws
17	EAA0247G02A	Tire lever (3009516)
18	4210784	Rubber cable holder
19	4208414	American plug 1-Phase
20	2407446	1-Phase lead cable 110V.
21	4300154	Washer D. 8
22	4300120	Screw 4.8 x 16
23	2200091	Tire paste container with cover
24	3010063	Left side panel
101	2410054	Turntable
102	2408694	Control plate
103	4210088	Hose clamp
104	3010068	Long hose
105	3093664	Arm spacer
106	3005557	Bush
107	3008225	Clamp
108	2200458	Slide with nozzle and fast union
109	4300064	Screw M6 x 8
110	4300153	Washer D. 6
111	2200519	Cylinder casing with fixing screws
112	4300071	Screw M8 x 20
113	3009563	Rear flange for cylinder D. 75
114	4209564	O-Ring D. 75
115	4206114	Lipped gasket
116	4208231	Piston D. 75
117	4206523	WRI-20 guide for shaft
118	3308152	Turntable cap
119	4300052	Screw M16 x 35 x 1.5 10k
120	3094668	Turntable washer
121	4300186	Seeger ring D. 12
122	3009822	Cylinder connecting hose

<b>No.</b>	<b>Part No.</b>	<b>Description</b>
123	4295016	T union 8-6 / 8-6 / 8-6
124	3010677	Washer 12.5 x 30 x 3
125	3009826	Cylinder hose
126	2201659	Plastic protection for jaws (Set of 4) (2200334)
127	2409927	Slide with pin
128	2200073	Union
129	4300156	Washer D. 12
130	4300142	Nut M12
131	3009907	Front flange for cylinder D. 75
132	4300048	Screw M12 x 90
133	4300192	Circlip D. 65
134	2409924	Slide with guide
135	3009908	Shaft for cylinder D. 75
201	3005171	Bead breaker arm pin
202	4300157	Washer D. 14
203	3007326	Washer 35 x 13 x 0.3
204	3008952	Bead breaker spring
205	3305242	Bead breaker handle knob
206	3094971	Screw M12
207	3010564	Bead breaker cylinder cover
208	4300142	Nut M12
209	4300165	Washer D. 8 x 24 x 2
210	4300143	Nut M16
211	3094059	Swinging pin
212	3308939	Shock absorber
213	3305221	Bush
214	4300080	Screw M12 x 30
215	3005174	Bush
216	3005320	Valve 1/4"
217	4293958	Union 1/8" 6-4
218	3094416	Bead breaker cylinder connecting hose
219	3094378	Piston return spring
220	4205270	Lipped gasket DI-062
221	3005223	Cylinder shaft
222	2408786	Bead breaker cylinder
223	4205257	Lipped gasket D. 186 DE-725
224	3005222	Piston
225	4300019	Screw M8 x 16
226	4300181	Split pin 3 x 25
227	2110475	Bead breaker arm for cross joint
228	3010356	Hub for bead breaker joint (2410356)
229	3010434	Washer 30.5 x 42 x 0.5
230	4208789	Spring D. 34 x 16 x 1.75
231	3010435	Washer 16 x 35 x 0.5
232	4300133	Nut M8
301	3305161	Knob
302	3005564	Vertical arm spring

<b>No.</b>	<b>Part No.</b>	<b>Description</b>
303	4300073	Screw M8 x 30
304	3094546	Locking plate spring
305	4300141	Nut M10
306	3094469	Bar locking plate
307	4300034	Screw M10 x 70
308	3009776	Hexagonal arm
309	3309545	Mounting head shock absorber
310	4300076	Screw M10 x 20
311	3006516	Swinging arm pin
312	3010774	DANGER sticker for arm
313	4300280	Screw M6 x 6
314	3007143	Washer 10.25 x 36 x 4
315	4300028	Screw M10 x 25
316	3010680	ATTENTION: DANGER! sticker
317	4210027	Pin 5 x 22
318	3093674	Claw roller
319	4300128	Nut M10
320	3394836	Cover
321	3305241	Handle knob insert
322	2200126	Lever with locking pin complete
323	3005353	Handle with screw
324	3094764	Washer
325	2494728	Swinging arm
326	2410437	Vertical post
327	4210566	Safety valve
328	3094741	Pin locking washer
329	4300047	Screw M12 x 60
330	4210454	3-pieces union 1"
331	4300090	Screw M4 x 20
332	4205255	L union 1/4" 8-6
333	3006866	Air lubricator body
334	4294639	Union
335	4294376	Bayonet connection
336	3005154	Plate
337	4206867	O-Ring 41.2 x 32.5
338	3006865	Air lubricator reservoir
339	4300091	Screw M5 x 8
340	3010526	Oiler support
341	2110635	Key
342	2-01146	Screw M 10x10
343	9350194	Mounting head fixing washer
344	9350197	Mounting head fixing screw
345	4220605	Split pin $\varnothing$ 5x25
346	2201645	Protection inserts (10 each) for item #347
347	2202073	Complete Mounting head
401	2407827	Gear wheel with support
402	4100008	Bearing 6010-Z

<b>No.</b>	<b>Part No.</b>	<b>Description</b>
403	4210479	Cap
404	4300132	Nut M6
405	4300066	Screw M6 x 18
406	4100005	Bearing 30204
407	2200485	Lower and upper gear box housing
408	3306093	Plug extension
409	4206096	Ring
410	2394620	Complete oil plug
411	4300035	Screw M10 x 50
412	4207454	1-Phase motor shock absorber
413	4210480	Pin 8 x 20
414	3006014	Worm screw
415	4206091	Ring 35 x 2.2
416	4300194	Key 6 x 9
417	4206095	O-ring
418	3005201	Reduction pulley
419	4300099	Screw M8 x 14
420	3005316	Motor pulley
421	3394587	Switch lever
422	3306128	Belt stretcher push rod
423	4210093	O-ring 90 x 94 x 2
424	3094803	Motor mounting plate
425	4300026	Screw M10 x 16
426	3-01032A	1-Phase motor 110V. 60 Hz. (4206595)
427	4210092	O-Ring 3250
428	4300155	Washer D. 10
429	3009824	Turntable control hose
430	4206552	V-belt A-23
431	3010107	Screw for rotating union
432	4205260	Union 1/8" 6-4
433	3010667	Bead blast hose
434	4300115	Screw 3.58 x 12.7
435	4300256	Screw M4 x 16
436	3005912	Switch label
437	3307305	Switch protection
438	5-400682	Switch (4213369)
439	4207394	Tightness cable holder
440	4207431	Tightness cable holder
441	4300085	Screw M3 x 10
442	4300169	Washer D. 4
443	4300089	Screw M4 x 10
444	4300130	Nut M4
445	4300012	Screw M6 x 16
446	3007306	Switch bracket
447	3307307	Gasket for switch lever
448	4207429	O-Ring 3275
449	2407448	1-Phase connecting cable 110V.

<b>No.</b>	<b>Part No.</b>	<b>Description</b>
450	4300030	Screw M10 x 35
451	4300128	Nut M10
452	3311984	Bearing protection ring
453	4481432	45 MFD. Capacitor
454	3006087	Upper gear box
455	3006086	Lower gear box
501	4209655	Quick union 1/8" 6-4
502	4293991	Silencer 1/8"
503	4209656	L quick union 1/8" 8-6
504	3009444	Pedals
505	3009412	Spring for pedal return
506	3009659	Valve control hose
507	3006047	Pedal spring
508	3009651	Pedal pin
509	4209029	Union 1/8" 8-6
510	4209658	T quick union 1/8" 8-6
511	4300015	Screw M6 x 60
512	4300139	Nut M6
513	4300138	Nut M4
514	4300065	Screw M6 x 12
515	4300215	Screw 2.9 x 6.4
516	3006149	Fork leaf spring
517	3306148	Double cam
518	2406150	Cam connecting rod
519	3094451	Switch connecting rod
520	3009605	Connecting rod guide bracket
521	3009407	Connecting rod
522	2409607	Support for switch pedal
523	3009565	Switch pedal
524	4300164	Washer 6 x 18
525	4300179	Split pin 2 x 20
526	4300167	Washer D. 8
527	4300002	Screw M4 x 25
528	3005167	Air inlet hose
529	3009553	Left pedal
530	4300140	Nut M8
601	4209654	Cap 1/8"
602	4205252	L union 1/8" 8-6
603	4300122	Nut M6
604	2409990	Support
605	2409994	Pedal support
606	4300141	Nut M10
607	3310066	Rubber pedal
608	4300023	Screw M8 x 35
609	4300183	Split pin 4 x 35
610	3010481	Special screw M10
611	3094774	Articulating block spring

<b>No.</b>	<b>Part No.</b>	<b>Description</b>
612	3009407	Connecting rod
613	4300013	Screw M6 x 20
614	ST4030614	Valve 1" (4210024) (ST0013155)
****	ST0001432	This fitting (8 x 6) needs to be ordered with #ST4030614
615	3010456	Nipple 1" - 1"
616	4300364	Screw M6 x 8
617	4205252	L union 1/8" 8-6
618	3005887	Pedal control spring
619	2010167	Complete 2-way union
620	3093866	Air inlet hose
621	3010470	Air inlet hose
622	3095174	Air inlet short hose
623	3095015	Long bead breaker cylinder hose
624	3010164	Air inlet hose
625A	2310056	Compl. valve ( for ULGS device)
625B	2310639	Compl. valve (for airline gauge)
630	2411999	Diaphragm only for dump valve #4210024
701	2110562	Support for ULGS device
702	2408312	Inflating unit box
703	4205451	Chuck
704	4-400208A	Air outlet hose (2408318)
705	3008322	Connecting hose
706	3009026	Outlet connecting hose
707	3093867	Valve control hose
708	3308973	Manometer support
709	4205322	Union 1/8" 8-6
710	4208319	L union 1/4" 4-2
711	4209025	Quick union 1/8" 4-2
712	4209028	Union 1/8" 8-6
713	4209029	Quick union 1/8" 8-6
714	4209030	Partition 1/8"
715	4293976	Washer 1/8"
716	4208321	Button valve
717	4208982	Manometer
718	4208320	Coupling 1/4"
719	4300253	Screw 4.8 x 9.5
720	4300339	Screw 2.5 x 4
721	4300290	Screw M10 x 12
722	4300018	Screw M8 x 12
801	2407055	Air outlet hose with chuck and union
802	2407053	Air inlet hose with unions
803	2110627	Hook for airline gauge
804	4208416	Joint
805	4210264	L union 1/4" 8-6
806	3011235	Union 1/4" - 14.5
901	2409055	Wheel adaptor 8"-9" (shell only)
902	3005696	Clamp



<b>No.</b>	<b>Part No.</b>	<b>Description</b>
903	413163	Clamp spacer (3305341)
904	3009133	Pawl
905	3009134	Leaf spring for pawl
906	4300134	Nut M10
907	4300172	Washer D. 10
908	4300328	Screw M8 x 10
909	2409052	Motorcycle adaptor (Shell only)
914	3310678	Plastic protector for #2200191 head
915	3312320	Plastic protector for lever
916A	3311344	Alloy rim protection 3 3/8" long (each)
916B	2200612	Alloy rim protection 3 3/8" long (set of 4)
916C	3317679	Alloy rim protection 3 3/4" long (each)
1001	2200512	Complete turntable
1002	2200444	Cylinder D. 75 with unions
1003	2200533	Complete bead breaker cylinder
1004	2200140	Complete V-bead breaker
1005	2200484	Compl. bead breaker arm w/ cross joint
1006	2200191	Obsolete replaced by #2202073
1007	2010560	Oiler complete with support
1008	2200658	Compl. rotating union for inflating device
1009	2200489	Complete gearbox
1010	2307456	1-Phase 110V. complete switch
1011	2309657	Complete self-centering chuck valve
1012	2309652	Complete bead breaker valve
1013	2009650	Pedals complete
1015	3-00333	Complete handheld air gauge (2306820)
1016	2200038	ATV adaptors for 8"-9" wheels (Set of 4)
1017	2201113	Motorcycle adapters (Set of 4)



### **HOFMANN USA**

309 Exchange Ave. Conway, AR 72032 Phone 800-251-4500 Fax 501-450-2085  
[www.hofmann-usa.com](http://www.hofmann-usa.com)

### **HOFMANN BALANCING TECHNIQUES LTD. CANADA**

6500 Millcreek Dr. Mississauga, Ontario L5N 4G4 Phone 800-267-2185 Fax 905-821-2073  
[www.hofmann.ca](http://www.hofmann.ca)

Revised 04/12